

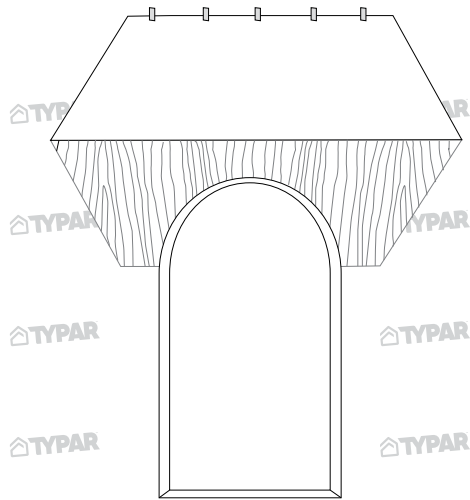
# TYPAR® FLEXIBLE FLASHING SELF-ADHERING WINDOW FLASHING

## FOR CURVED APPLICATIONS

### TYPAR® FLEXIBLE FLASHING-TYPICAL INSTALLATION

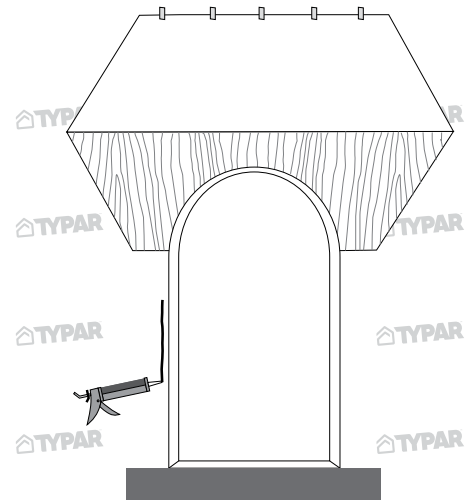
#### STEP 1

Cut horizontal slits where the curve starts on the window, out to a distance equal to the width of flashing used. Continue at a 45 degree angle upwards until you are above the top center of the window by at least the width of the flashing. Temporarily tape this flap up out of the way.



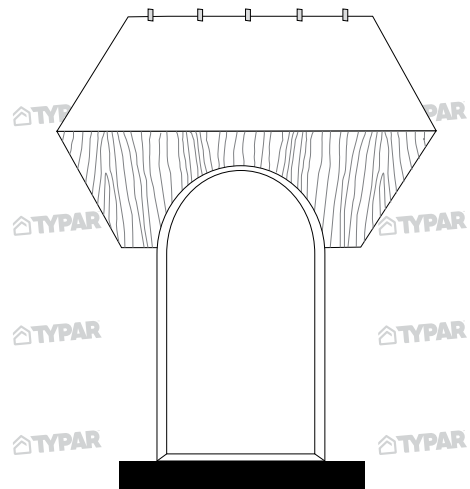
#### STEP 3

Apply a continuous bead of sealant around the interior edge of the window's nailing flange at, or just inside, the manufacturer's nailing slots or holes. Nail the window in place according to manufacturer's instructions.



#### STEP 2

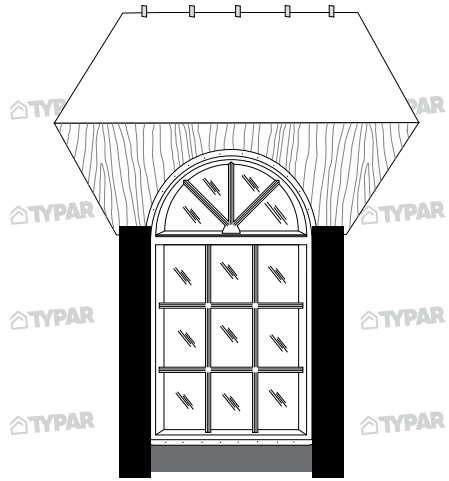
Cut a strip of TYPAR® Peel and Stick Flashing to extend past the edges of the rough opening on both sides by a little less than the width of the side (jamb) flashing to be installed in step #4. Using the release paper as a guide slowly peel back the release paper and press in place



CONTINUED ON REVERSE.

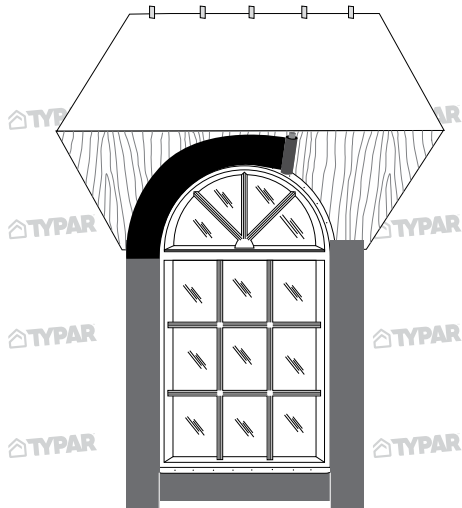
**STEP 4**

Cut two strips for the sides (jamb) of the window that cover the width of the previously installed flashing at the base. Slowly peel the release paper off as you press the flashing in place. Insure the flashing covers all nails and mounting slots on the window's mounting flange.



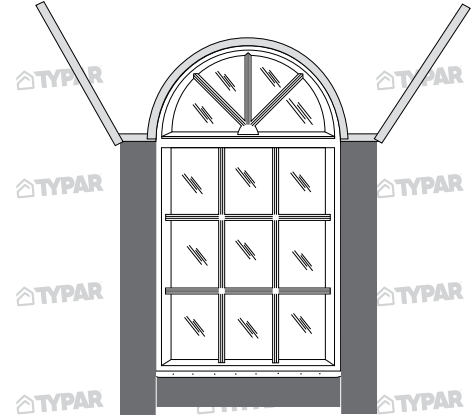
**STEP 5**

Cut a piece of TYPAR Flexible Flashing for the head of the window that is the length of the curve plus two times the width of the flashing. Slowly peel the release paper and press the edge next to the window frame. Cover all nails and mounting slots.



**STEP 6**

Fold down the flap (from step #1) over the head flashing and tape the horizontal and diagonal slits with TYPAR® Construction Tape.



**NOTE:** All installation procedures and techniques must comply with local code requirements and latest version of ASTM 2112.

Installation methods approved by the American Architectural Manufacturers Association (AAMA) are acceptable for TYPAR® products and TYPAR® Weather Protection System limited warranty.

**WARNING:** Flashing will not address the water intrusion which may occur through the window itself.

**For more information, visit [TYPAR.com](http://TYPAR.com).**

