

TYPAR[®]

BALCONY DETAILS

TABLE OF CONTENTS

Table of Contents01

Detail 6.1: Beam Penetration.....02

Detail 6.2: Door Threshold at Concrete Balcony.....03

Detail 6.3: Vert. Wall to Lightweight Concrete Transition.....04

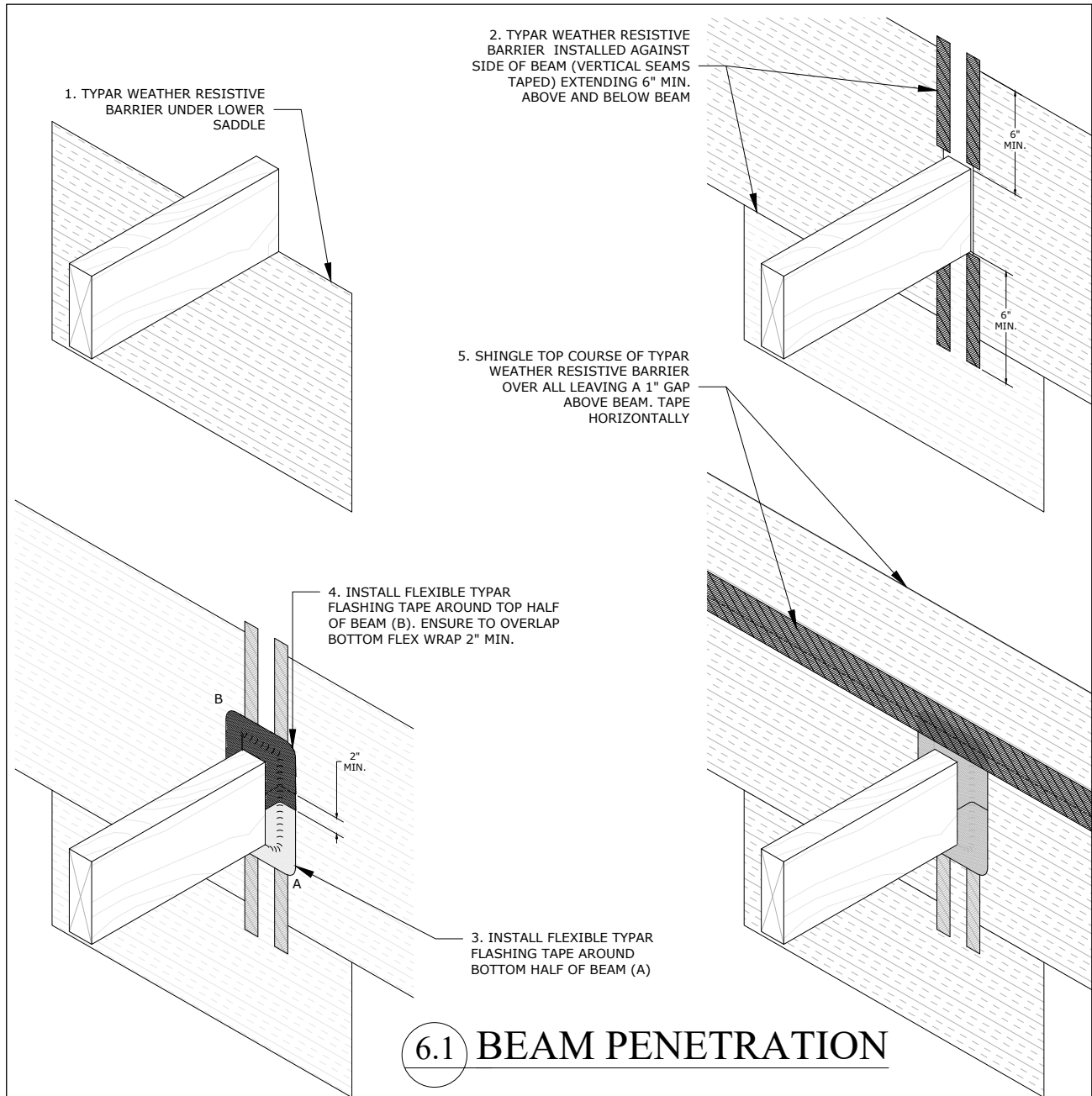
Detail 6.4: Lightweight Concrete Balcony at Vertical Wall Transition.....05

Detail 6.5: Lightweight Concrete Balcony at Vertical Wall Transition.....06

Detail 6.6: Drip Through Balcony Ledger Transition.....07

TYPAR® BALCONY DETAILS

DETAIL 6.1: BEAM PENETRATION



GENERAL NOTES:

- SECURE ALL WEATHER BARRIER LAPS AND SEAMS WITH TYPAR SEAM TAPE
- SECURE WEATHER BARRIER WITH ONLY APPROVED FASTENERS
- ADHERE TO ALL LOCAL LAWS, CODES, AND GOVERNING DESIGNS
- INSTALL CLADDING SYSTEMS IN ACCORDANCE WITH LOCAL CODES, MANUFACTURER GUIDELINES, AND GOVERNING DESIGN REQUIREMENTS
- ENSURE COMPATIBILITY WITH ADJACENT MATERIALS PRIOR TO INSTALLATION OF TYPAR PRODUCTS



A Magnera Brand



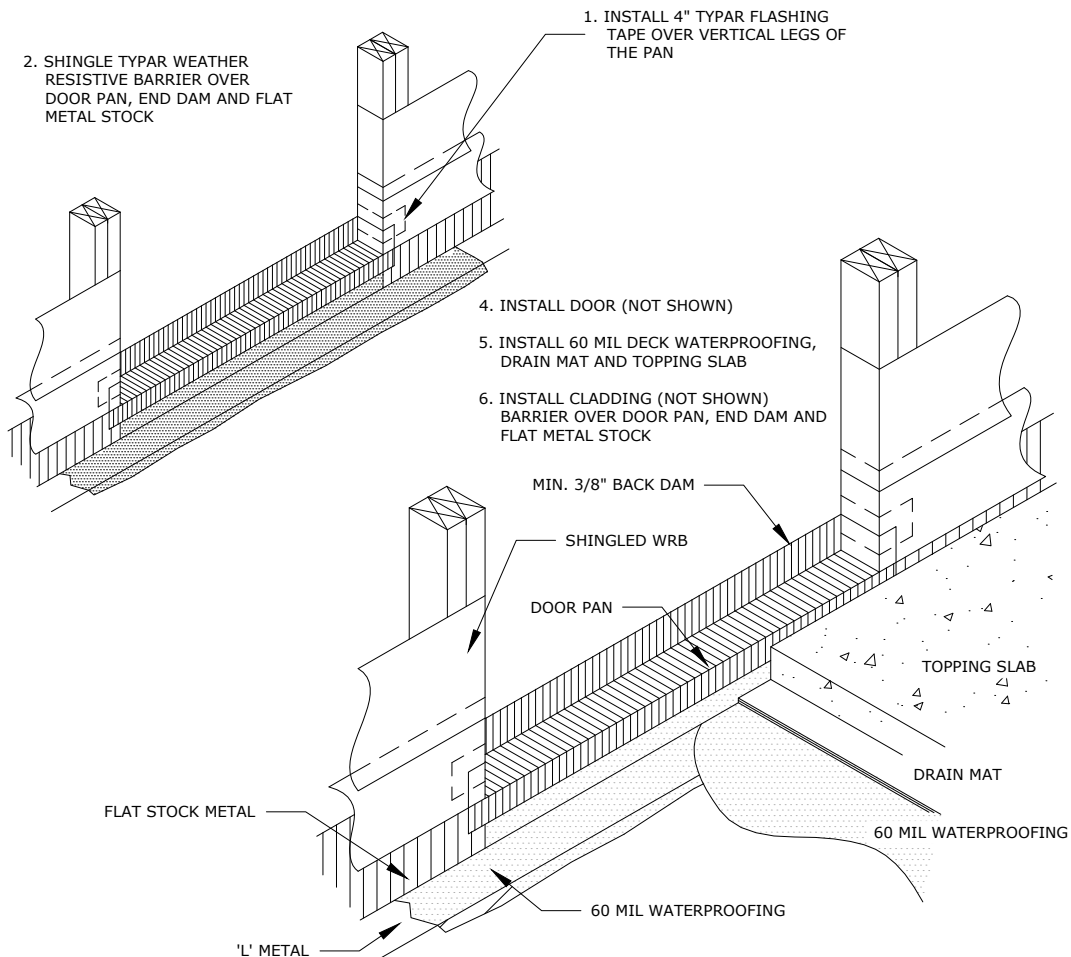
July 2025 | Made in the USA of U.S. and global components.
Please visit TYPAR.com for installation instructions and warranty information.
Building Wraps | Flashings | Construction Tape | Sealant

WATERPROOFING LEGEND (WHERE APPLICABLE)	
TYPAR WRB	--- -- --
METAL FLASHING	=====
TYPAR FLASHING	-----
BUILDING PAPER	-----

TYPAR® BALCONY DETAILS

DETAIL 6.2: DOOR THRESHOLD AT CONCRETE BALCONY

NOTE:
DETAIL INTENDED TO DEPICT BALCONY WATERPROOFING TRANSITION TO THRESHOLD. FOLLOW ALL MANUFACTURER GUIDELINES FOR BALCONY WATERPROOFING INSTALLATION. REFER TO WOOD FRAME DOOR DETAILS IN SERIES 3 FOR ROUGH OPENING DETAILS.



6.2 DOOR THRESHOLD AT CONCRETE BALCONY

GENERAL NOTES:

- SECURE ALL WEATHER BARRIER LAPS AND SEAMS WITH TYPAR SEAM TAPE
- SECURE WEATHER BARRIER WITH ONLY APPROVED FASTENERS
- ADHERE TO ALL LOCAL LAWS, CODES, AND GOVERNING DESIGNS
- INSTALL CLADDING SYSTEMS IN ACCORDANCE WITH LOCAL CODES, MANUFACTURER GUIDELINES, AND GOVERNING DESIGN REQUIREMENTS
- ENSURE COMPATIBILITY WITH ADJACENT MATERIALS PRIOR TO INSTALLATION OF TYPAR PRODUCTS



A Magnera Brand



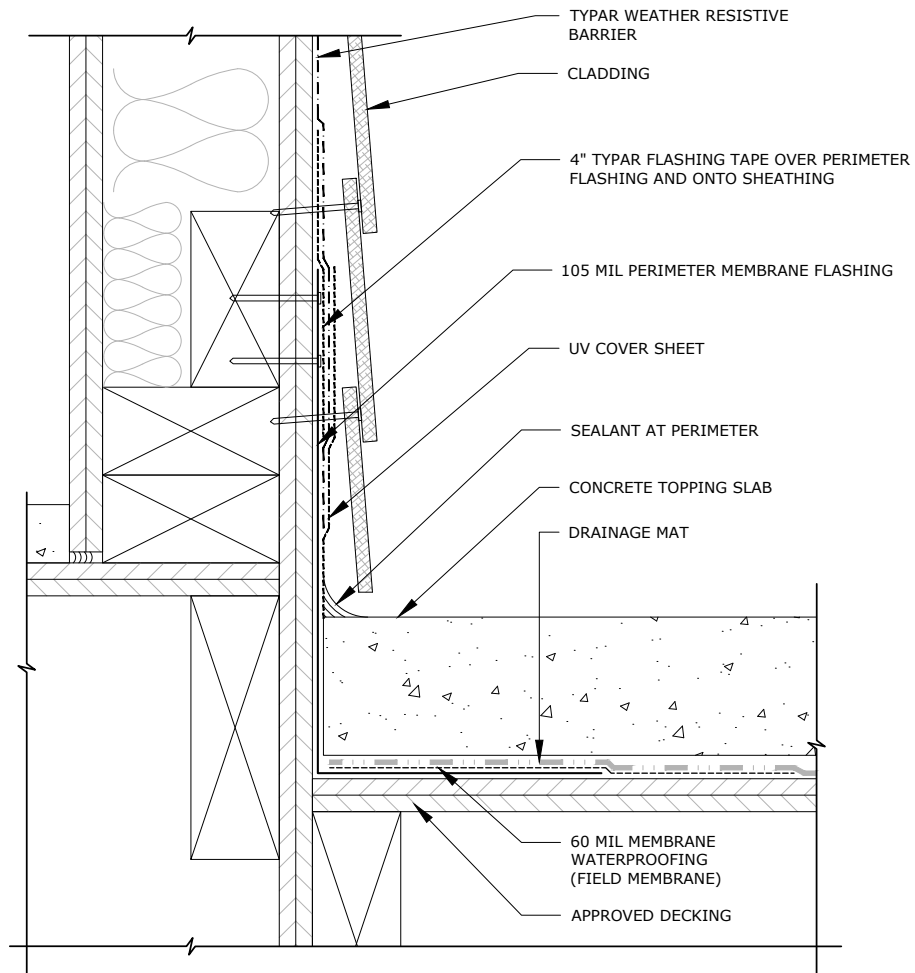
July 2025 | Made in the USA of U.S. and global components.
Please visit [TYPAR.com](https://www.typar.com) for installation instructions and warranty information.
Building Wraps | Flashings | Construction Tape | Sealant

WATERPROOFING LEGEND
(WHERE APPLICABLE)

TYPAR WRB	---
METAL FLASHING	=====
TYPAR FLASHING	-----
BUILDING PAPER	----

TYPAR® BALCONY DETAILS

DETAIL 6.3: VERT. WALL TO LIGHTWEIGHT CONCRETE TRANSITION



6.3 VERT. WALL TO LIGHTWEIGHT CONCRETE TRANSITION

- GENERAL NOTES:
- SECURE ALL WEATHER BARRIER LAPS AND SEAMS WITH TYPAR SEAM TAPE
 - SECURE WEATHER BARRIER WITH ONLY APPROVED FASTENERS
 - ADHERE TO ALL LOCAL LAWS, CODES, AND GOVERNING DESIGNS
 - INSTALL CLADDING SYSTEMS IN ACCORDANCE WITH LOCAL CODES, MANUFACTURER GUIDELINES, AND GOVERNING DESIGN REQUIREMENTS
 - ENSURE COMPATIBILITY WITH ADJACENT MATERIALS PRIOR TO INSTALLATION OF TYPAR PRODUCTS

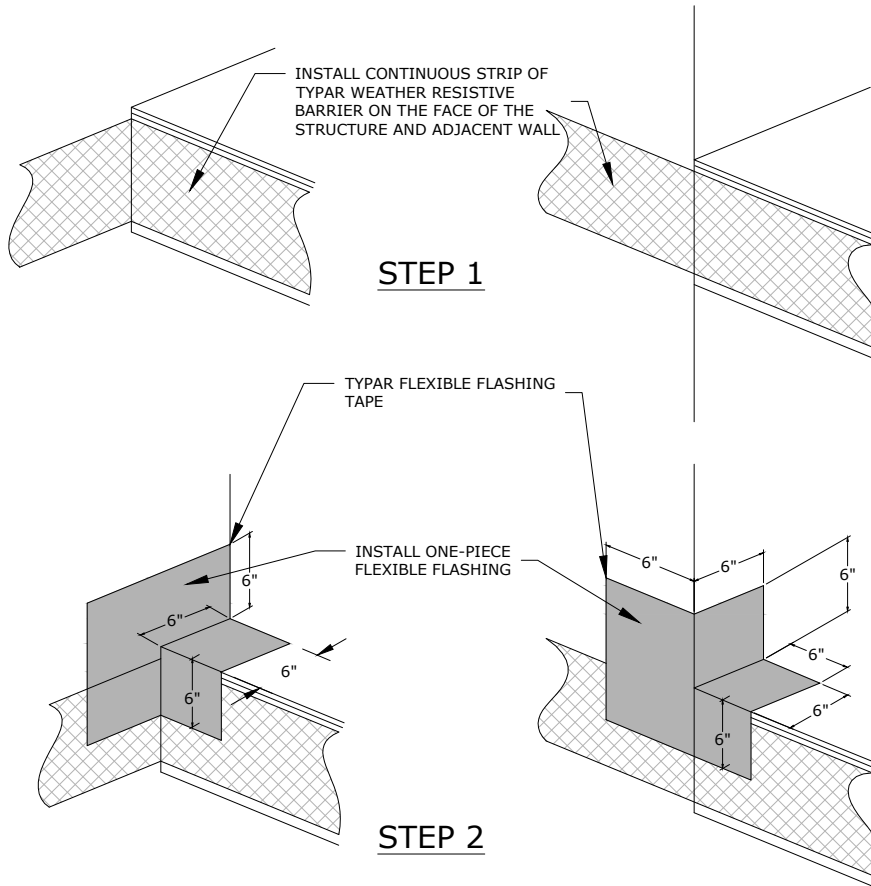


July 2025 | Made in the USA of U.S. and global components.
 Please visit TYPAR.com for installation instructions and warranty information.
 Building Wraps | Flashings | Construction Tape | Sealant

WATERPROOFING LEGEND (WHERE APPLICABLE)	
TYPAR WRB	--- ---
METAL FLASHING	=====
TYPAR FLASHING	-----
BUILDING PAPER	-----

TYPAR® BALCONY DETAILS

DETAIL 6.4: LIGHTWEIGHT CONCRETE BALCONY AT VERTICAL WALL TRANSITION



6.4 LIGHTWEIGHT CONCRETE BALCONY AT VERTICAL WALL TRANSITION

GENERAL NOTES:

- SECURE ALL WEATHER BARRIER LAPS AND SEAMS WITH TYPAR SEAM TAPE
- SECURE WEATHER BARRIER WITH ONLY APPROVED FASTENERS
- ADHERE TO ALL LOCAL LAWS, CODES, AND GOVERNING DESIGNS
- INSTALL CLADDING SYSTEMS IN ACCORDANCE WITH LOCAL CODES, MANUFACTURER GUIDELINES, AND GOVERNING DESIGN REQUIREMENTS
- ENSURE COMPATIBILITY WITH ADJACENT MATERIALS PRIOR TO INSTALLATION OF TYPAR PRODUCTS



A Magnera Brand



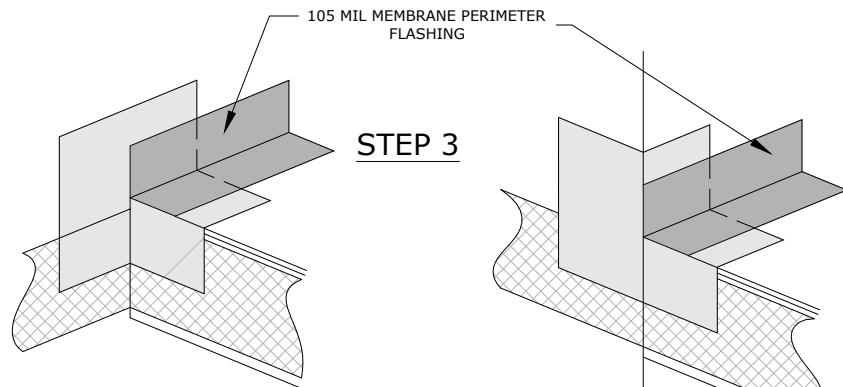
July 2025 | Made in the USA of U.S. and global components.
Please visit [TYPAR.com](https://www.typar.com) for installation instructions and warranty information.
Building Wraps | Flashings | Construction Tape | Sealant

**WATERPROOFING LEGEND
(WHERE APPLICABLE)**

TYPAR WRB	-----
METAL FLASHING	=====
TYPAR FLASHING	-----
BUILDING PAPER	-----

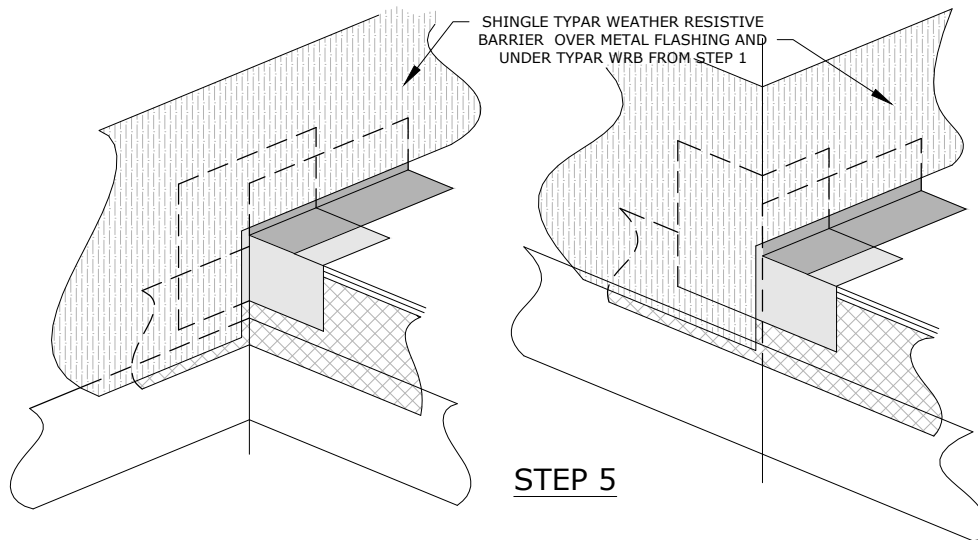
TYPAR® BALCONY DETAILS

DETAIL 6.5: LIGHTWEIGHT CONCRETE BALCONY AT VERTICAL WALL TRANSITION



STEP 4

INSTALL ALL COMPONENTS OF THE DECK WATERPROOFING SYSTEM SHOWN IN DETAILS AND PLACE CONCRETE ON WATERPROOFED DECK



6.5 LIGHTWEIGHT CONCRETE BALCONY AT VERTICAL WALL TRANSITION

GENERAL NOTES:

- SECURE ALL WEATHER BARRIER LAPS AND SEAMS WITH TYPAR SEAM TAPE
- SECURE WEATHER BARRIER WITH ONLY APPROVED FASTENERS
- ADHERE TO ALL LOCAL LAWS, CODES, AND GOVERNING DESIGNS
- INSTALL CLADDING SYSTEMS IN ACCORDANCE WITH LOCAL CODES, MANUFACTURER GUIDELINES, AND GOVERNING DESIGN REQUIREMENTS
- ENSURE COMPATIBILITY WITH ADJACENT MATERIALS PRIOR TO INSTALLATION OF TYPAR PRODUCTS



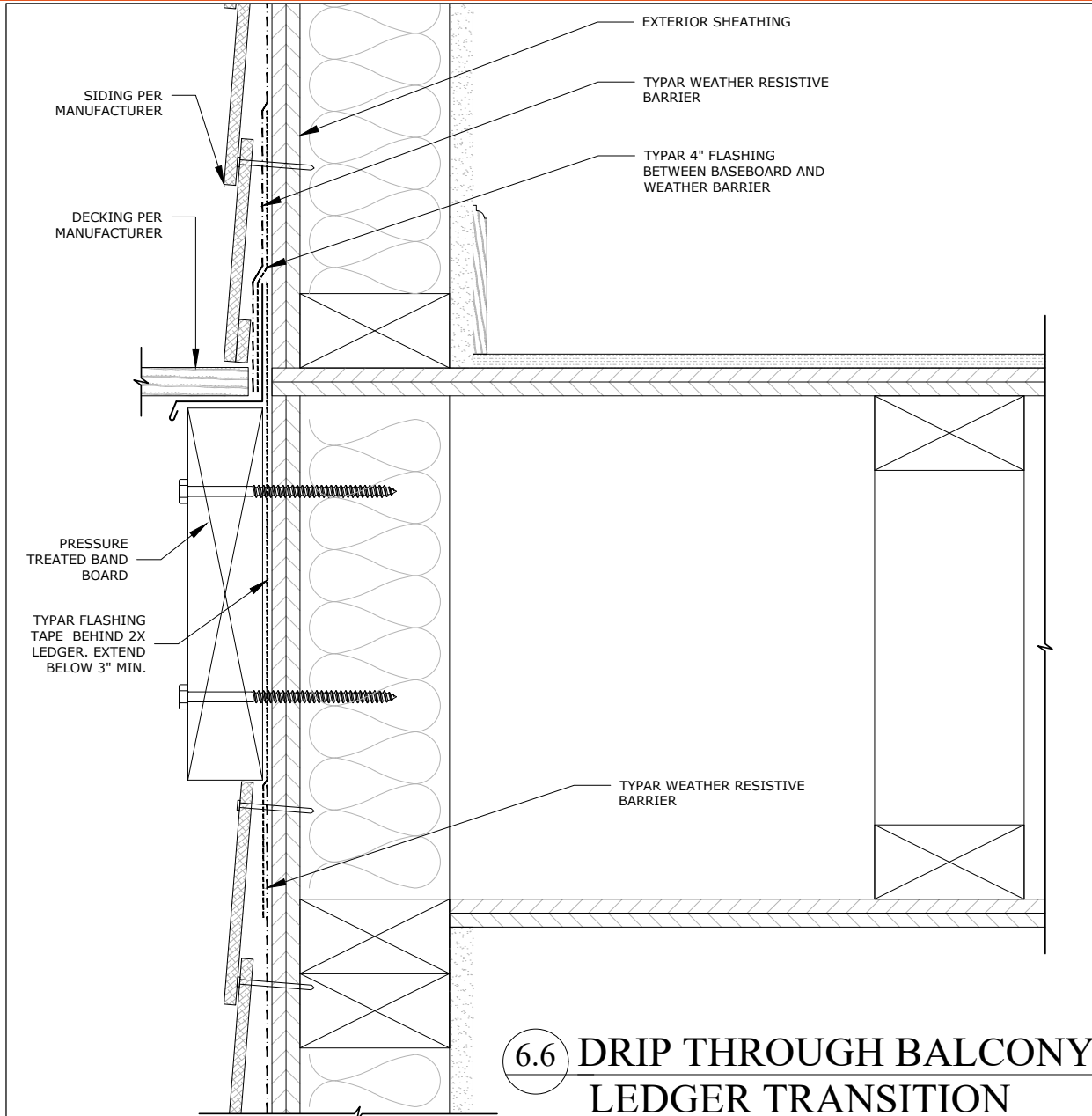
July 2025 | Made in the USA of U.S. and global components.
Please visit [TYPAR.com](https://www.typar.com) for installation instructions and warranty information.
Building Wraps | Flashings | Construction Tape | Sealant

WATERPROOFING LEGEND (WHERE APPLICABLE)

TYPAR WRB	— · — · — · —
METAL FLASHING	=====
TYPAR FLASHING	-----
BUILDING PAPER	-----

TYPAR® BALCONY DETAILS

DETAIL 6.6: DRIP THROUGH BALCONY LEDGER TRANSITION



6.6 DRIP THROUGH BALCONY LEDGER TRANSITION

- GENERAL NOTES:**
- SECURE ALL WEATHER BARRIER LAPS AND SEAMS WITH TYPAR SEAM TAPE
 - SECURE WEATHER BARRIER WITH ONLY APPROVED FASTENERS
 - ADHERE TO ALL LOCAL LAWS, CODES, AND GOVERNING DESIGNS
 - INSTALL CLADDING SYSTEMS IN ACCORDANCE WITH LOCAL CODES, MANUFACTURER GUIDELINES, AND GOVERNING DESIGN REQUIREMENTS
 - ENSURE COMPATIBILITY WITH ADJACENT MATERIALS PRIOR TO INSTALLATION OF TYPAR PRODUCTS



WATERPROOFING LEGEND (WHERE APPLICABLE)	
TYPAR WRB	--- -- --
METAL FLASHING	=====
TYPAR FLASHING	-----
BUILDING PAPER	-----



July 2025 | Made in the USA of U.S. and global components.
 Please visit TYPAR.com for installation instructions and warranty information.
 Building Wraps | Flashings | Construction Tape | Sealant