

# TYPAR® CONSTRUCTION DETAILS

## TABLE OF CONTENTS

Table of Contents .....01

**Detail 1: Beam Penetration .....02**

**Detail 2: Window Head at Fiber Cement.....03**

**Detail 3: Window Head at Loose Lintel.....04**

**Detail 4: Rough Opening Preparation.....05**

**Detail 5:Base of Wall Slab on Grade.....06**

**Detail 6:Vertical Wall to LW Concrete Transition.....07**

**Detail 7: LW Concrete Balcony at Vertical Wall Transition.....08**

**Detail 8: LW Concrete Balcony at Vertical Wall Transition.....09**

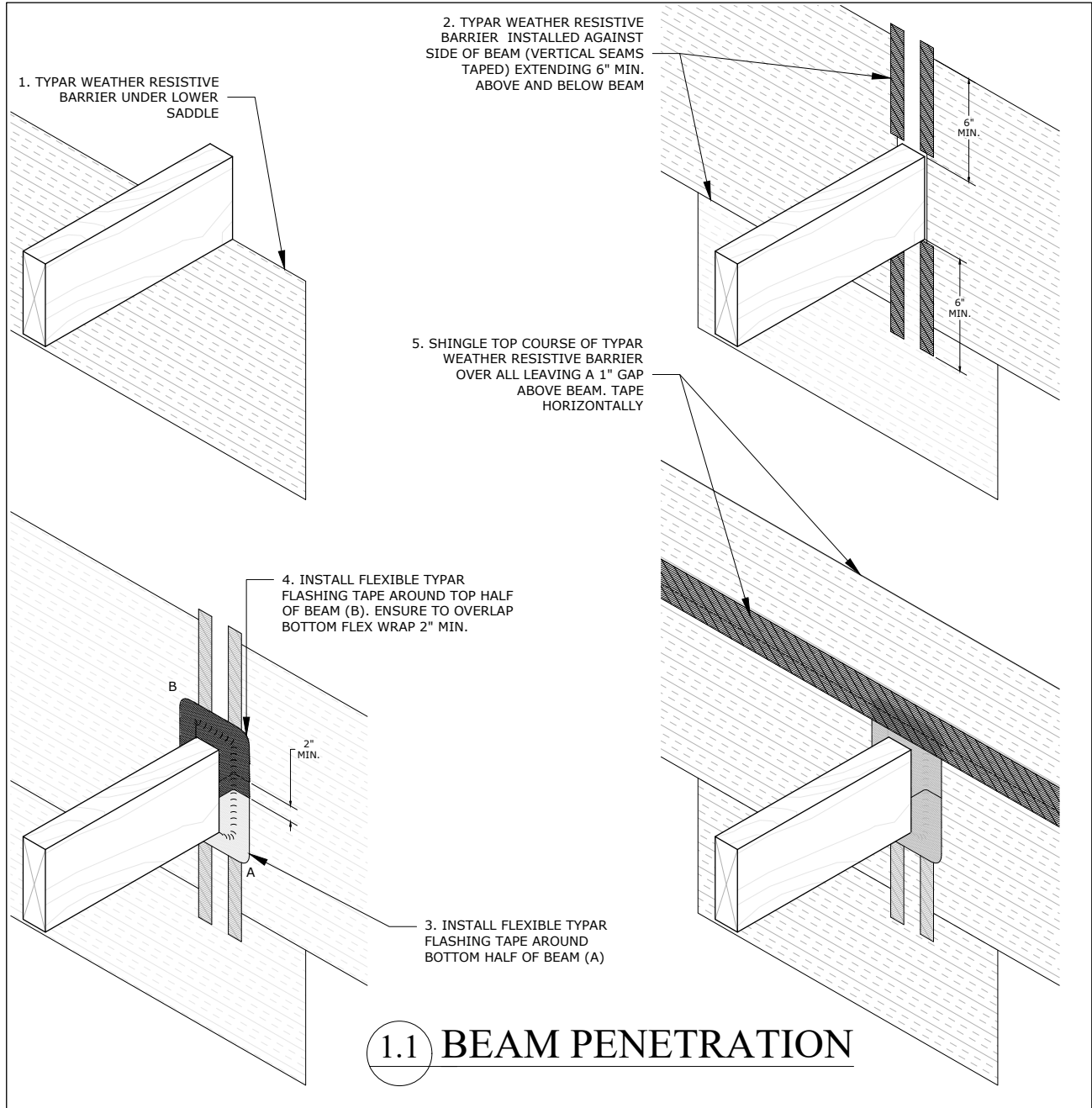
**Detail 9: Drip Through Balcony Ledger Transition.....10**

**Detail 10: Fiber Cement to Masonry Transition.....11**

**Detail 11: Wall Penetration.....12**

# TYPAR® CONSTRUCTION DETAIL

## DETAIL 1: BEAM PENETRATION



**GENERAL NOTES:**

- SECURE ALL WEATHER BARRIER LAPS AND SEAMS WITH TYPAR SEAM TAPE
- SECURE WEATHER BARRIER WITH ONLY APPROVED FASTENERS
- ADHERE TO ALL LOCAL LAWS, CODES, AND GOVERNING DESIGNS
- INSTALL CLADDING SYSTEMS IN ACCORDANCE WITH LOCAL CODES, MANUFACTURER GUIDELINES, AND GOVERNING DESIGN REQUIREMENTS
- ENSURE COMPATIBILITY WITH ADJACENT MATERIALS PRIOR TO INSTALLATION OF TYPAR PRODUCTS

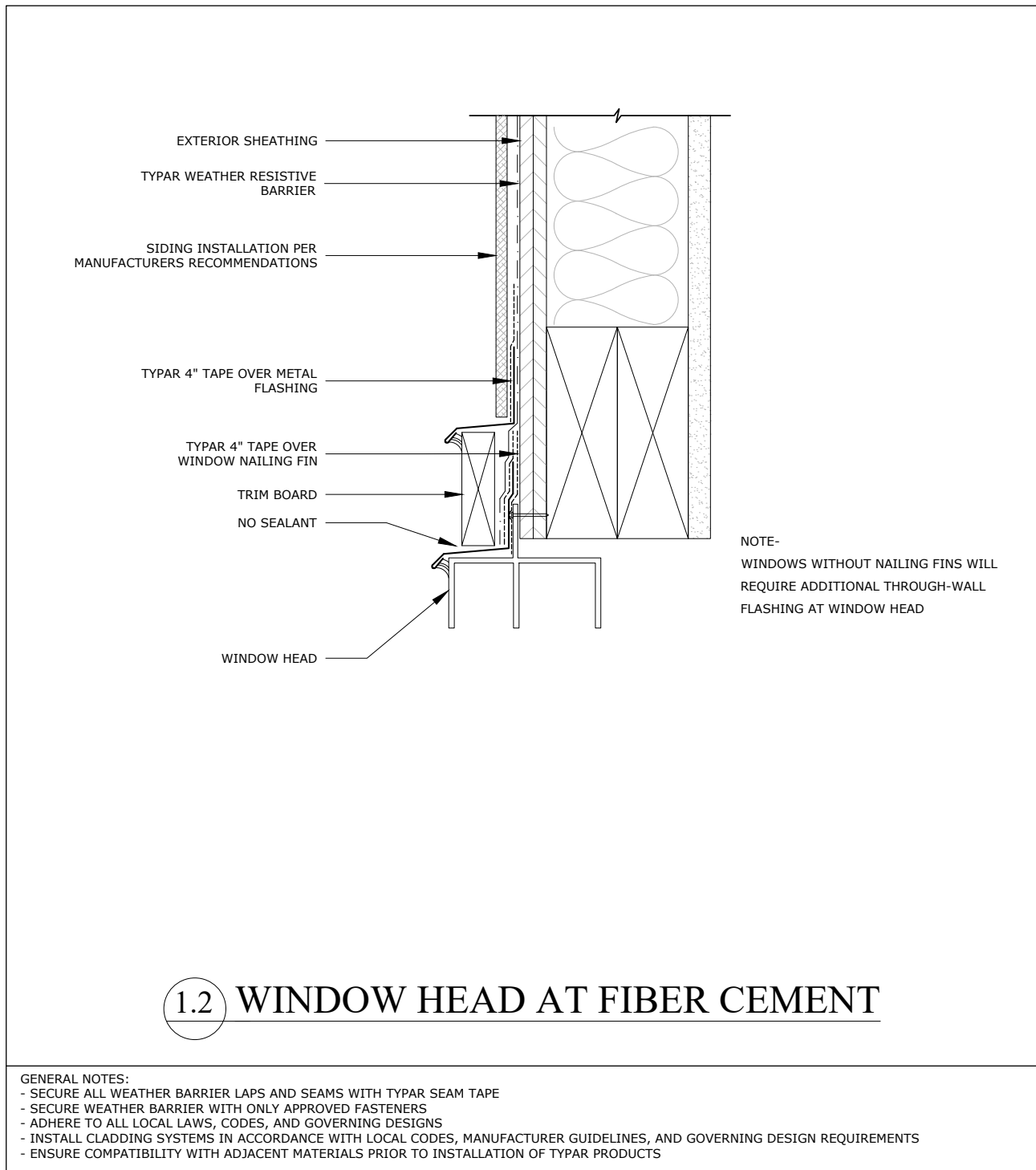


April 26, 2024 | Made in the USA of U.S. and global components.  
 Please visit [TYPAR.com](https://www.typar.com) for installation instructions and warranty information.  
 Building Wraps | Flashings | Construction Tape

WATERPROOFING LEGEND (WHERE APPLICABLE)	
TYPAR WRB	-----
METAL FLASHING	—————
TYPAR FLASHING	- - - - -
BUILDING PAPER	- · - · -

# TYPAR® CONSTRUCTION DETAIL

## DETAIL 2: WINDOW HEAD AT FIBER CEMENT

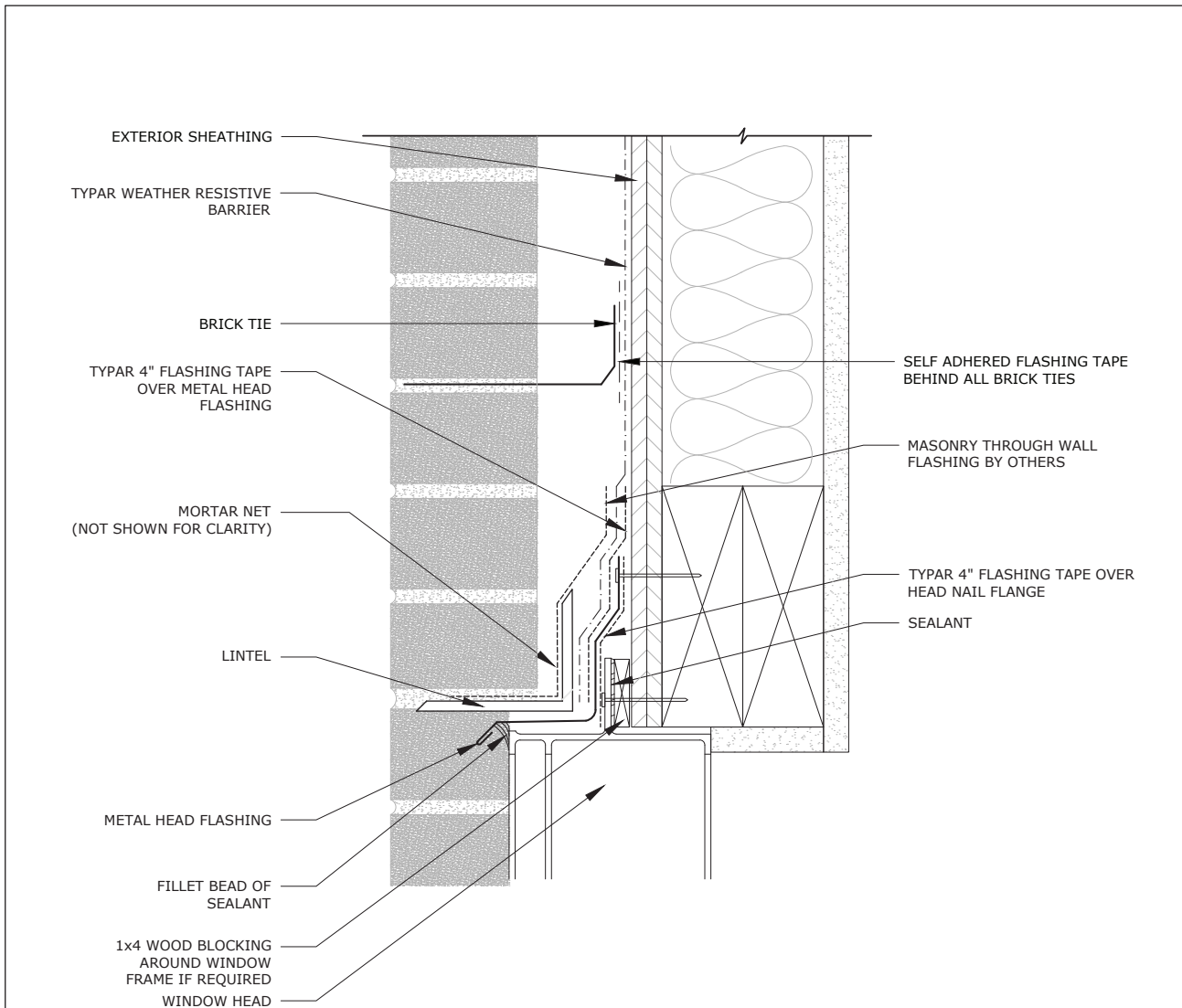


April 26, 2024 | Made in the USA of U.S. and global components.  
 Please visit [TYPAR.com](https://www.typar.com) for installation instructions and warranty information.  
 Building Wraps | Flashings | Construction Tape

WATERPROOFING LEGEND (WHERE APPLICABLE)	
TYPAR WRB	-----
METAL FLASHING	—————
TYPAR FLASHING	-----
BUILDING PAPER	-----

# TYPAR® CONSTRUCTION DETAIL

## DETAIL 3: WINDOW HEAD AT LOOSE LINTEL



### 1.3 WINDOW HEAD AT LOOSE LINTEL

- GENERAL NOTES:
- SECURE ALL WEATHER BARRIER LAPS AND SEAMS WITH TYPAR SEAM TAPE
  - SECURE WEATHER BARRIER WITH ONLY APPROVED FASTENERS
  - ADHERE TO ALL LOCAL LAWS, CODES, AND GOVERNING DESIGNS
  - INSTALL CLADDING SYSTEMS IN ACCORDANCE WITH LOCAL CODES, MANUFACTURER GUIDELINES, AND GOVERNING DESIGN REQUIREMENTS
  - ENSURE COMPATIBILITY WITH ADJACENT MATERIALS PRIOR TO INSTALLATION OF TYPAR PRODUCTS

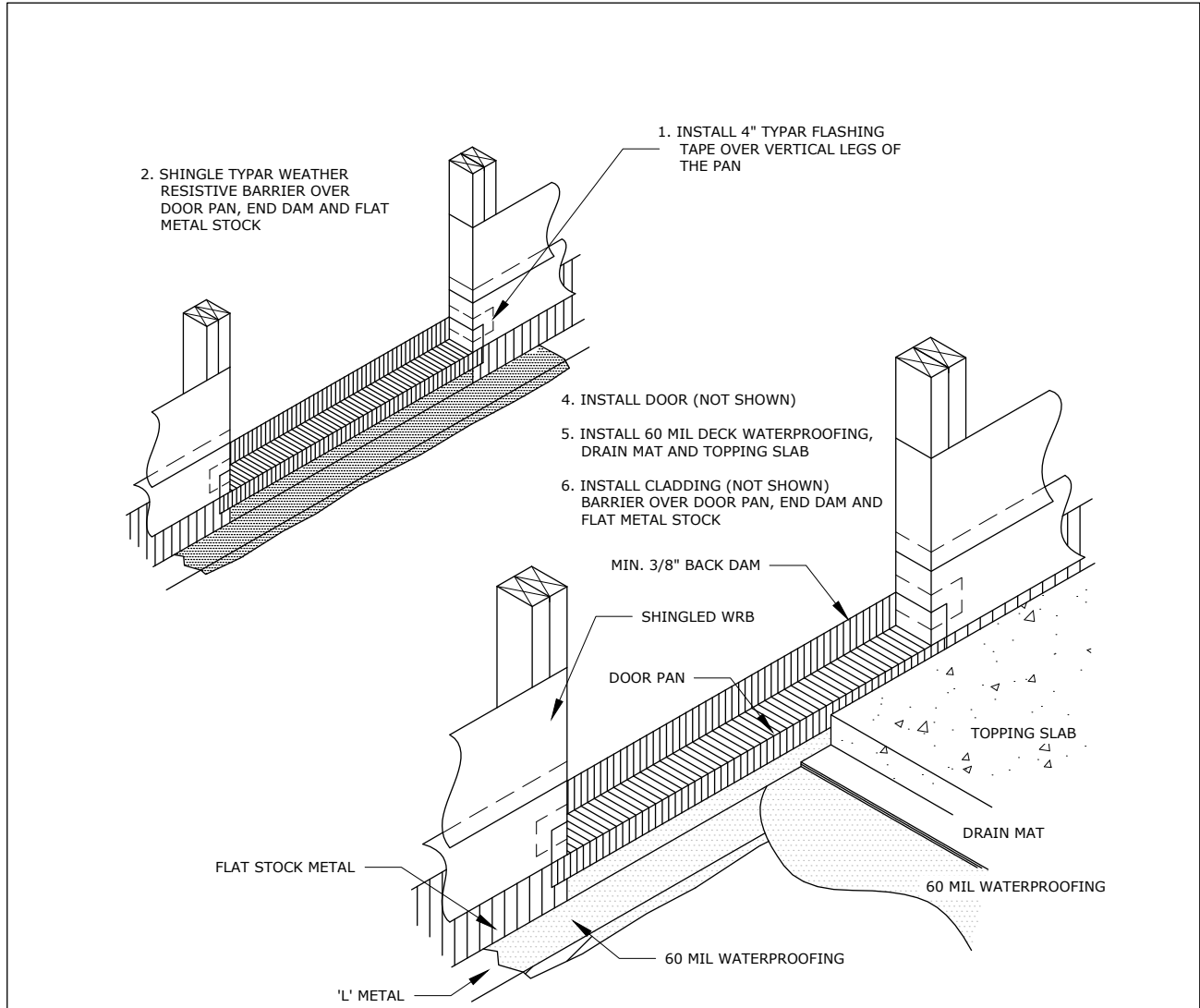


April 26, 2024 | Made in the USA of U.S. and global components.  
 Please visit [TYPAR.com](https://www.typar.com) for installation instructions and warranty information.  
 Building Wraps | Flashings | Construction Tape

WATERPROOFING LEGEND (WHERE APPLICABLE)	
TYPAR WRB	-----
METAL FLASHING	—————
TYPAR FLASHING	- - - - -
BUILDING PAPER	· · · · ·

# TYPAR® CONSTRUCTION DETAIL

## DETAIL 4: R.O. PREPARATION



### 1.4 R.O. PREPARATION

- GENERAL NOTES:
- SECURE ALL WEATHER BARRIER LAPS AND SEAMS WITH TYPAR SEAM TAPE
  - SECURE WEATHER BARRIER WITH ONLY APPROVED FASTENERS
  - ADHERE TO ALL LOCAL LAWS, CODES, AND GOVERNING DESIGNS
  - INSTALL CLADDING SYSTEMS IN ACCORDANCE WITH LOCAL CODES, MANUFACTURER GUIDELINES, AND GOVERNING DESIGN REQUIREMENTS
  - ENSURE COMPATIBILITY WITH ADJACENT MATERIALS PRIOR TO INSTALLATION OF TYPAR PRODUCTS

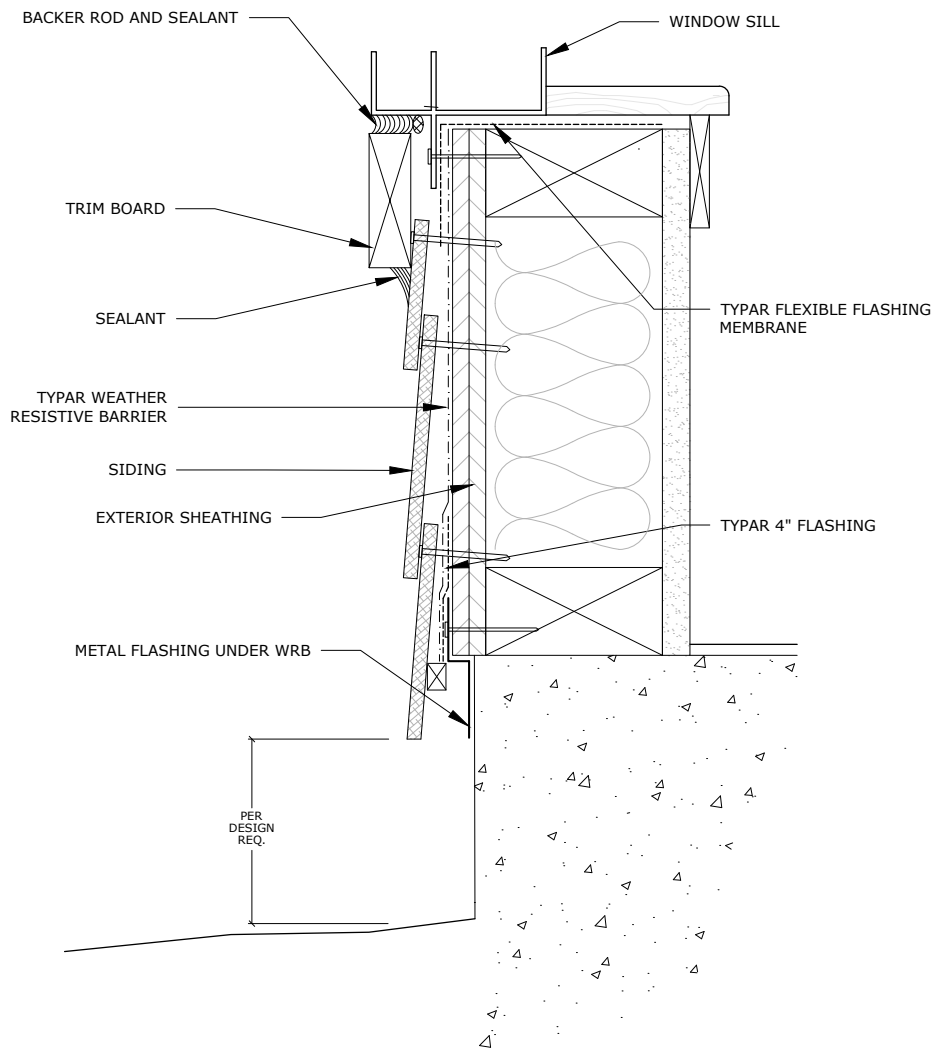


April 26, 2024 | Made in the USA of U.S. and global components.  
 Please visit [TYPAR.com](http://TYPAR.com) for installation instructions and warranty information.  
 Building Wraps | Flashings | Construction Tape

WATERPROOFING LEGEND (WHERE APPLICABLE)	
TYPAR WRB	-----
METAL FLASHING	=====
TYPAR FLASHING	-----
BUILDING PAPER	-----

# TYPAR® CONSTRUCTION DETAIL

## DETAIL 5: BASE OF WALL SLAB ON GRADE



### 1.5 BASE OF WALL SLAB ON GRADE

**GENERAL NOTES:**

- SECURE ALL WEATHER BARRIER LAPS AND SEAMS WITH TYPAR SEAM TAPE
- SECURE WEATHER BARRIER WITH ONLY APPROVED FASTENERS
- ADHERE TO ALL LOCAL LAWS, CODES, AND GOVERNING DESIGNS
- INSTALL CLADDING SYSTEMS IN ACCORDANCE WITH LOCAL CODES, MANUFACTURER GUIDELINES, AND GOVERNING DESIGN REQUIREMENTS
- ENSURE COMPATIBILITY WITH ADJACENT MATERIALS PRIOR TO INSTALLATION OF TYPAR PRODUCTS



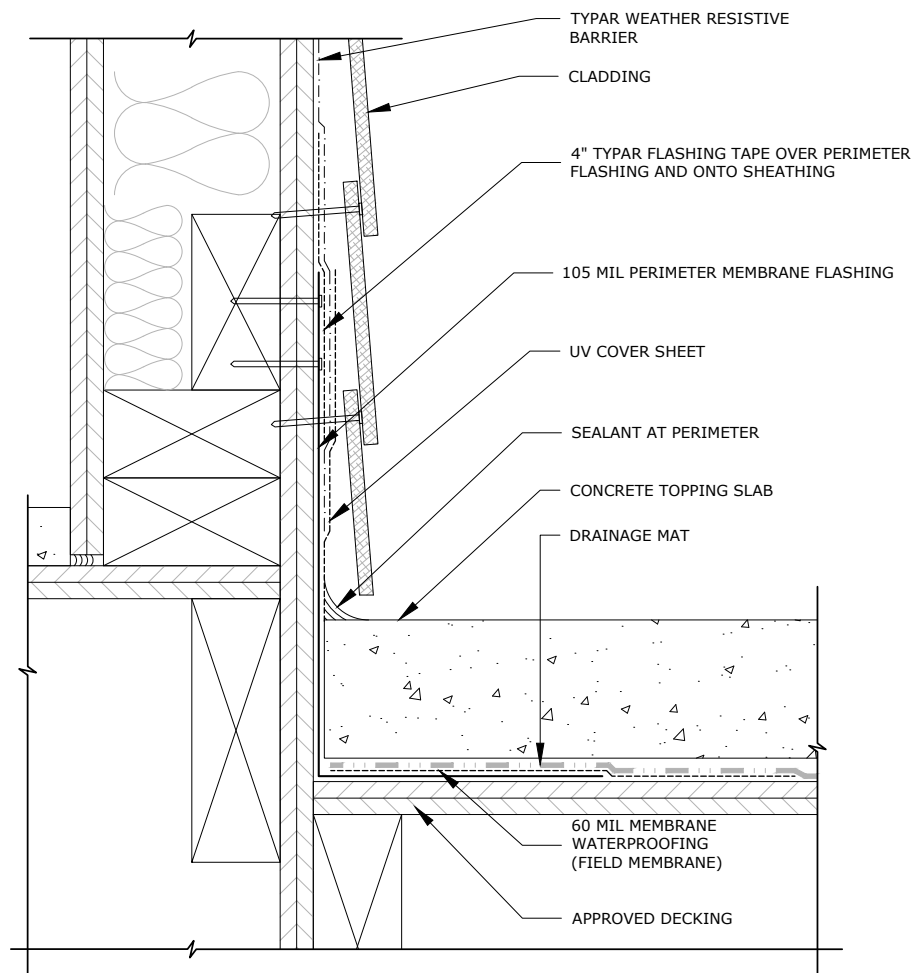
April 26, 2024 | Made in the USA of U.S. and global components.  
Please visit [TYPAR.com](https://www.typar.com) for installation instructions and warranty information.  
Building Wraps | Flashings | Construction Tape

**WATERPROOFING LEGEND  
(WHERE APPLICABLE)**

- TYPAR WRB - - - - -
- METAL FLASHING —————
- TYPAR FLASHING - - - - -
- BUILDING PAPER - - - - -

# TYPAR® CONSTRUCTION DETAIL

## DETAIL 6: VERTICAL WALL TO LW CONCRETE TRANSITION



### 1.6 VERT WALL TO LW CONCRETE TRANSITION

- GENERAL NOTES:
- SECURE ALL WEATHER BARRIER LAPS AND SEAMS WITH TYPAR SEAM TAPE
  - SECURE WEATHER BARRIER WITH ONLY APPROVED FASTENERS
  - ADHERE TO ALL LOCAL LAWS, CODES, AND GOVERNING DESIGNS
  - INSTALL CLADDING SYSTEMS IN ACCORDANCE WITH LOCAL CODES, MANUFACTURER GUIDELINES, AND GOVERNING DESIGN REQUIREMENTS
  - ENSURE COMPATIBILITY WITH ADJACENT MATERIALS PRIOR TO INSTALLATION OF TYPAR PRODUCTS

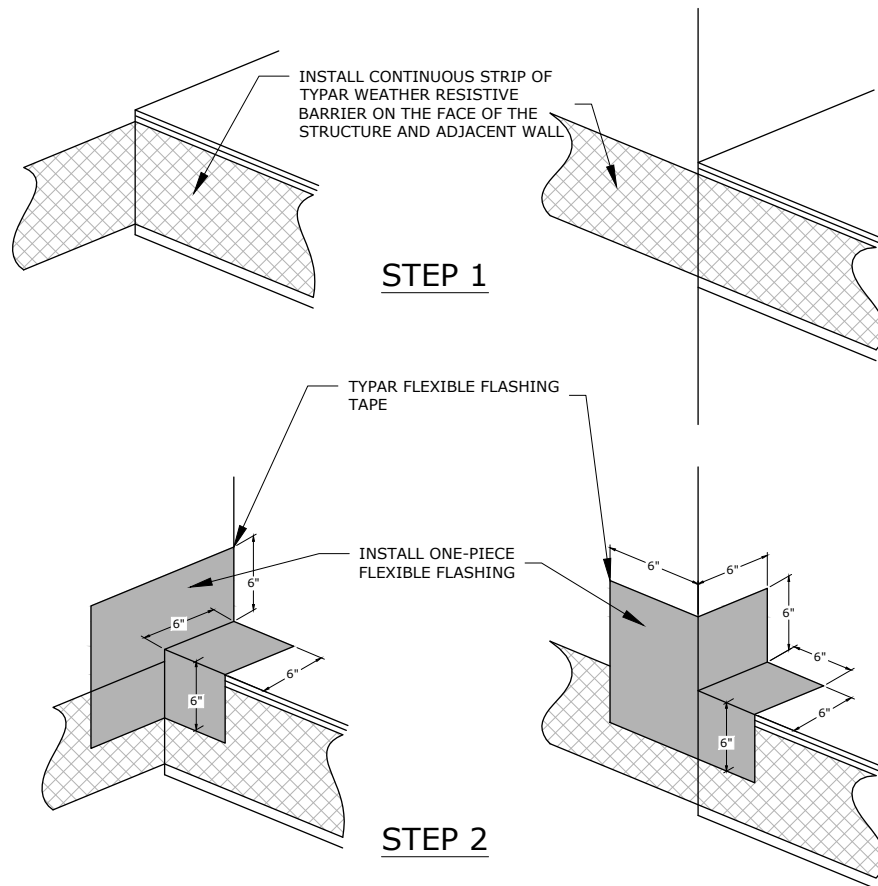


April 26, 2024 | Made in the USA of U.S. and global components.  
 Please visit [TYPAR.com](https://www.typar.com) for installation instructions and warranty information.  
 Building Wraps | Flashings | Construction Tape

WATERPROOFING LEGEND (WHERE APPLICABLE)	
TYPAR WRB	-----
METAL FLASHING	—————
TYPAR FLASHING	- - - - -
BUILDING PAPER	—————

# TYPAR® CONSTRUCTION DETAIL

## DETAIL 7: LW CONCRETE BALCONY AT VERTICAL WALL TRANSITION



### 1.7 LW CONCRETE BALCONY AT VERTICAL WALL TRANSITION

**GENERAL NOTES:**

- SECURE ALL WEATHER BARRIER LAPS AND SEAMS WITH TYPAR SEAM TAPE
- SECURE WEATHER BARRIER WITH ONLY APPROVED FASTENERS
- ADHERE TO ALL LOCAL LAWS, CODES, AND GOVERNING DESIGNS
- INSTALL CLADDING SYSTEMS IN ACCORDANCE WITH LOCAL CODES, MANUFACTURER GUIDELINES, AND GOVERNING DESIGN REQUIREMENTS
- ENSURE COMPATIBILITY WITH ADJACENT MATERIALS PRIOR TO INSTALLATION OF TYPAR PRODUCTS

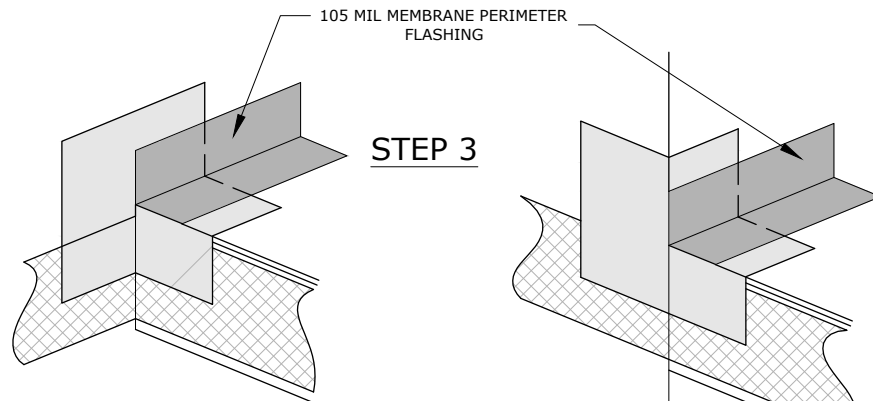


April 26, 2024 | Made in the USA of U.S. and global components.  
 Please visit [TYPAR.com](https://www.typar.com) for installation instructions and warranty information.  
 Building Wraps | Flashings | Construction Tape

WATERPROOFING LEGEND (WHERE APPLICABLE)	
TYPAR WRB	-----
METAL FLASHING	—————
TYPAR FLASHING	-----
BUILDING PAPER	-----

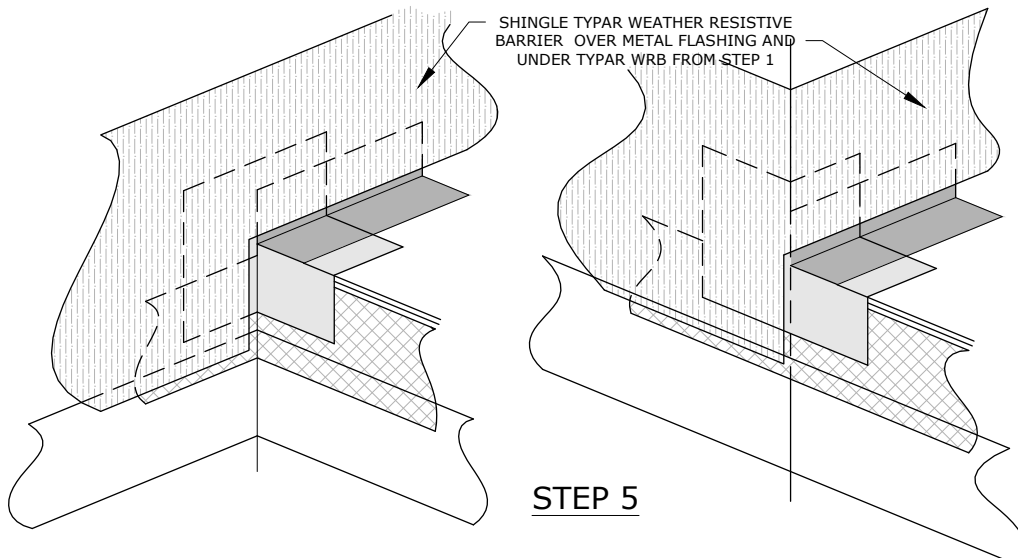
# TYPAR® CONSTRUCTION DETAIL

## DETAIL 8: LW CONCRETE BALCONY AT VERTICAL WALL TRANSITION



### STEP 4

INSTALL ALL COMPONENTS OF THE DECK WATERPROOFING SYSTEM SHOWN IN DETAILS AND PLACE CONCRETE ON WATERPROOFED DECK



## 1.8 LW CONCRETE BALCONY AT VERTICAL WALL TRANSITION

#### GENERAL NOTES:

- SECURE ALL WEATHER BARRIER LAPS AND SEAMS WITH TYPAR SEAM TAPE
- SECURE WEATHER BARRIER WITH ONLY APPROVED FASTENERS
- ADHERE TO ALL LOCAL LAWS, CODES, AND GOVERNING DESIGNS
- INSTALL CLADDING SYSTEMS IN ACCORDANCE WITH LOCAL CODES, MANUFACTURER GUIDELINES, AND GOVERNING DESIGN REQUIREMENTS
- ENSURE COMPATIBILITY WITH ADJACENT MATERIALS PRIOR TO INSTALLATION OF TYPAR PRODUCTS



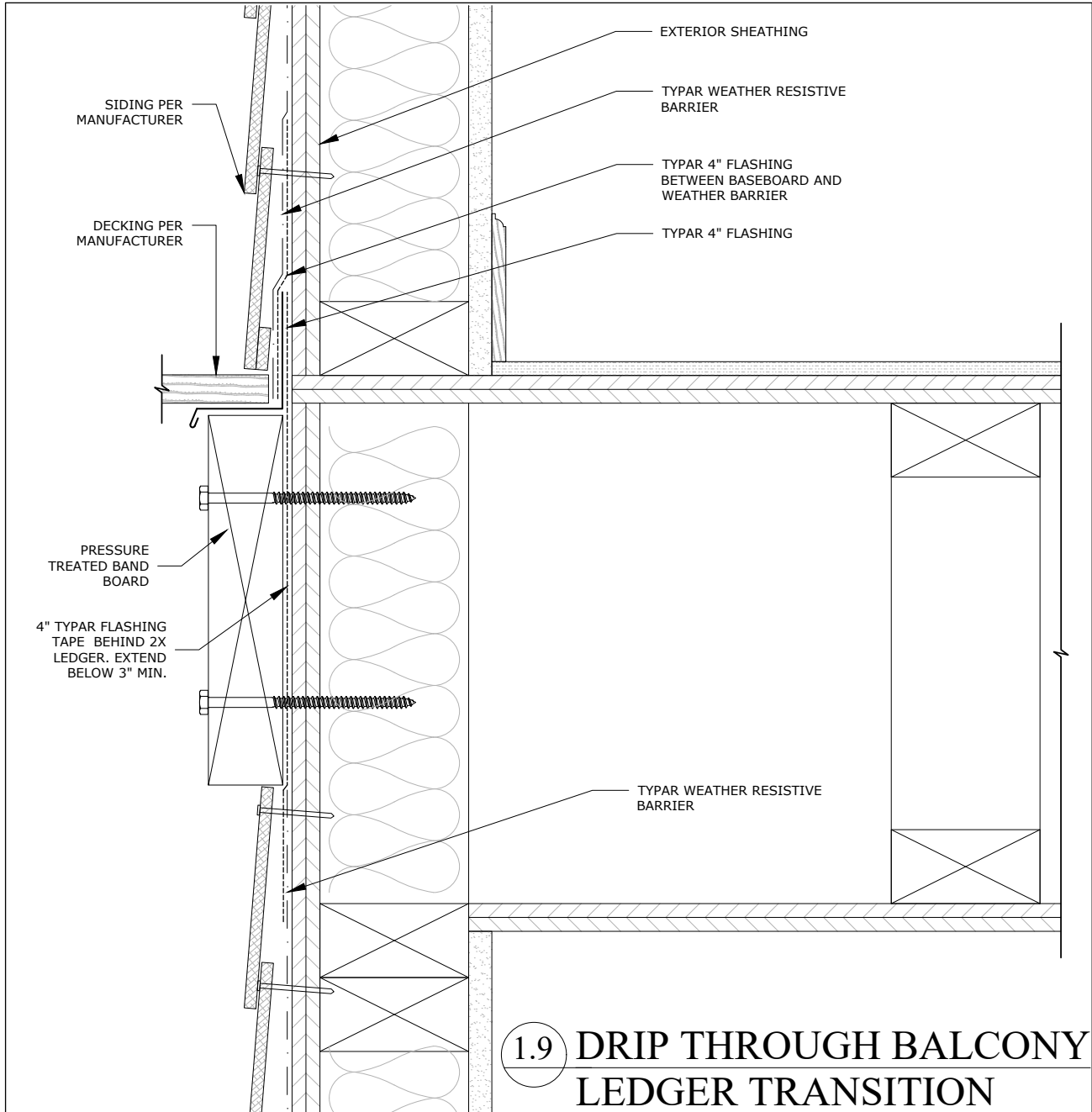
April 26, 2024 | Made in the USA of U.S. and global components.  
Please visit [TYPAR.com](https://www.typar.com) for installation instructions and warranty information.  
Building Wraps | Flashings | Construction Tape

#### WATERPROOFING LEGEND (WHERE APPLICABLE)

TYPAR WRB	-----
METAL FLASHING	—————
TYPAR FLASHING	-----
BUILDING PAPER	-----

# TYPAR® CONSTRUCTION DETAIL

## DETAIL 9: DRIP THROUGH BALCONY LEDGER TRANSITION



- GENERAL NOTES:
- SECURE ALL WEATHER BARRIER LAPS AND SEAMS WITH TYPAR SEAM TAPE
  - SECURE WEATHER BARRIER WITH ONLY APPROVED FASTENERS
  - ADHERE TO ALL LOCAL LAWS, CODES, AND GOVERNING DESIGNS
  - INSTALL CLADDING SYSTEMS IN ACCORDANCE WITH LOCAL CODES, MANUFACTURER GUIDELINES, AND GOVERNING DESIGN REQUIREMENTS
  - ENSURE COMPATIBILITY WITH ADJACENT MATERIALS PRIOR TO INSTALLATION OF TYPAR PRODUCTS

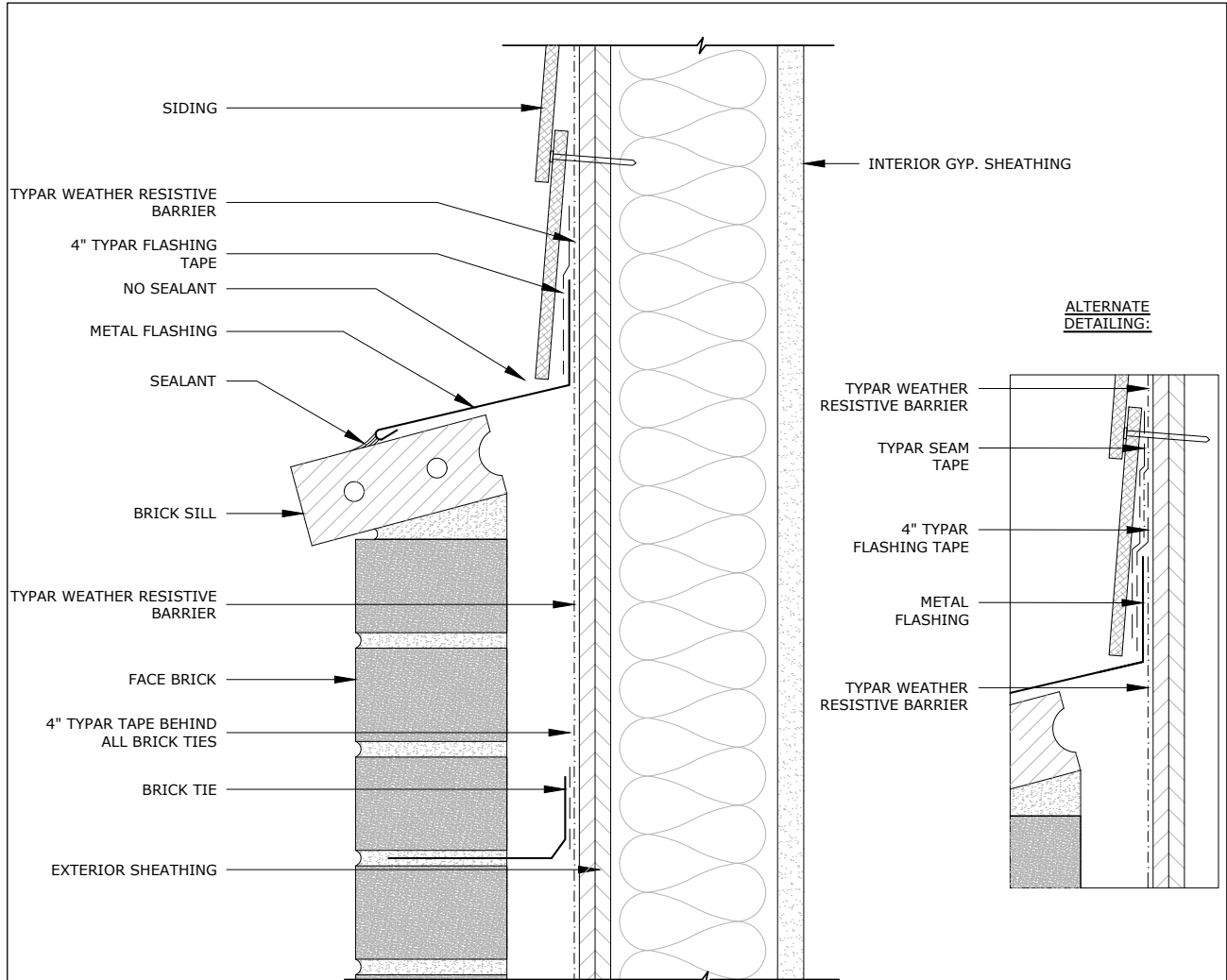


April 26, 2024 | Made in the USA of U.S. and global components.  
Please visit [TYPAR.com](https://www.typar.com) for installation instructions and warranty information.  
Building Wraps | Flashings | Construction Tape

WATERPROOFING LEGEND (WHERE APPLICABLE)	
TYPAR WRB	-----
METAL FLASHING	—————
TYPAR FLASHING	-----
BUILDING PAPER	-----

# TYPAR® CONSTRUCTION DETAIL

## DETAIL 10: FIBER CEMENT TO MASONRY FLASHING TRANSITION



### 1.10 FIBER CEMENT TO MASONRY FLASHING TRANSITION

- GENERAL NOTES:
- SECURE ALL WEATHER BARRIER LAPS AND SEAMS WITH TYPAR SEAM TAPE
  - SECURE WEATHER BARRIER WITH ONLY APPROVED FASTENERS
  - ADHERE TO ALL LOCAL LAWS, CODES, AND GOVERNING DESIGNS
  - INSTALL CLADDING SYSTEMS IN ACCORDANCE WITH LOCAL CODES, MANUFACTURER GUIDELINES, AND GOVERNING DESIGN REQUIREMENTS
  - ENSURE COMPATIBILITY WITH ADJACENT MATERIALS PRIOR TO INSTALLATION OF TYPAR PRODUCTS

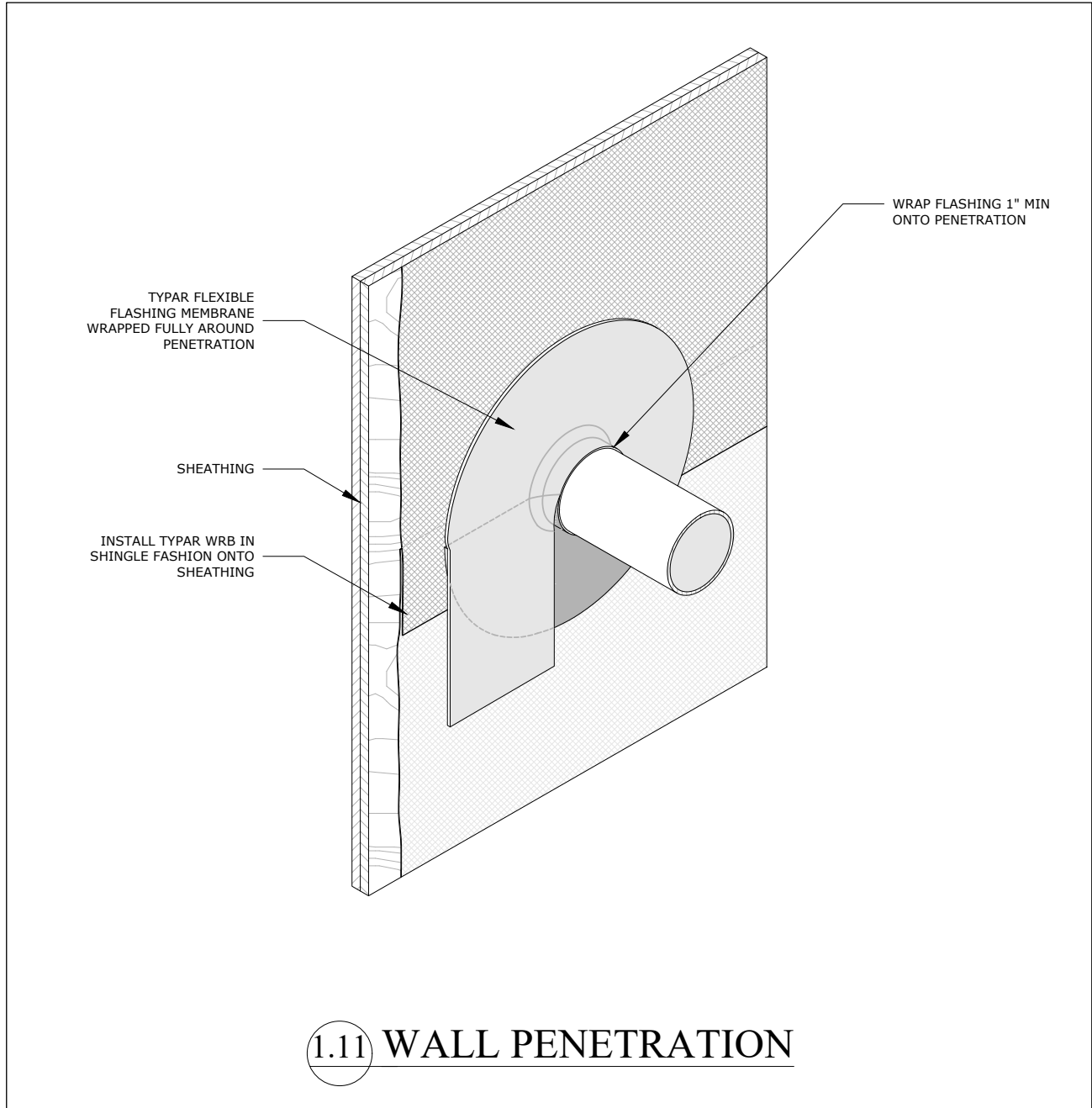


April 26, 2024 | Made in the USA of U.S. and global components.  
Please visit [TYPAR.com](http://TYPAR.com) for installation instructions and warranty information.  
Building Wraps | Flashings | Construction Tape

WATERPROOFING LEGEND (WHERE APPLICABLE)	
TYPAR WRB	-----
METAL FLASHING	—————
TYPAR FLASHING	- - - - -
BUILDING PAPER	—————

# TYPAR® CONSTRUCTION DETAIL

## DETAIL 11: WALL PENETRATION



- GENERAL NOTES:**
- SECURE ALL WEATHER BARRIER LAPS AND SEAMS WITH TYPAR SEAM TAPE
  - SECURE WEATHER BARRIER WITH ONLY APPROVED FASTENERS
  - ADHERE TO ALL LOCAL LAWS, CODES, AND GOVERNING DESIGNS
  - INSTALL CLADDING SYSTEMS IN ACCORDANCE WITH LOCAL CODES, MANUFACTURER GUIDELINES, AND GOVERNING DESIGN REQUIREMENTS
  - ENSURE COMPATIBILITY WITH ADJACENT MATERIALS PRIOR TO INSTALLATION OF TYPAR PRODUCTS



April 26, 2024 | Made in the USA of U.S. and global components.  
 Please visit [TYPAR.com](https://www.typar.com) for installation instructions and warranty information.  
 Building Wraps | Flashings | Construction Tape

WATERPROOFING LEGEND (WHERE APPLICABLE)	
TYPAR WRB	-----
METAL FLASHING	—————
TYPAR FLASHING	-----
BUILDING PAPER	-----