

ROUGH OPENING DETAILS

TABLE OF CONTENTS

Table of Contents01

Detail 1.1: Flangless Window R.O Preparation.....02

Detail 1.2: Flangless Window R.O Preparation.....03

Detail 1.3: Flangless Window R.O Preparation.....04

Detail 1.4: Flangless Window R.O Preparation.....05

Detail 1.5: Flangless Window R.O Preparation.....06

Detail 1.6: Bump Out Window Rough Opening Preparation.....07

Detail 1.7: Bump Out Window Rough Opening Preparation.....08

Detail 1.8: Bump Out Window Rough Opening Preparation.....09

Detail 1.9: Bump Out Window Rough Opening Preparation.....10

Detail 1.10: Bump Out Window Rough Opening Preparation.....11

Detail 1.11: Bump Out Window Rough Opening Preparation.....12

Detail 1.12: Bump Out Window Rough Opening Preparation.....13

Detail 1.13: Bump Out Window Rough Opening Preparation.....14

Detail 1.14: Recessed Rough Opening Flashing.....15

Detail 1.15: Recessed Rough Opening Flashing.....16

Detail 1.16: Recessed Rough Opening Flashing.....17

Detail 1.17: Recessed Rough Opening Flashing.....18

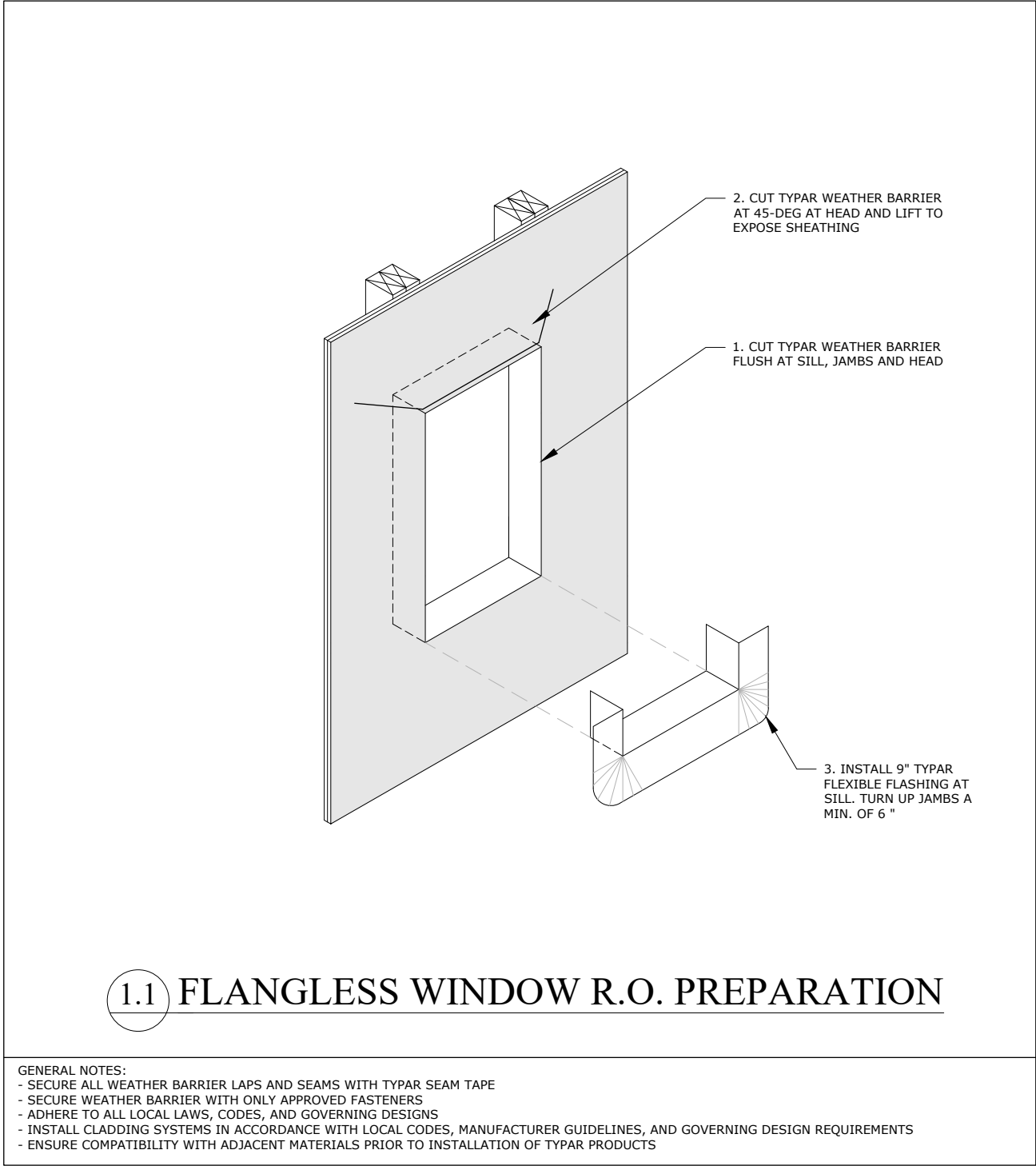
Detail 1.18: Recessed Rough Opening Flashing.....19

Detail 1.19: Recessed Rough Opening Flashing.....20

Detail 1.20: Recessed Rough Opening Flashing.....21

TYPAR® ROUGH OPENING DETAILS

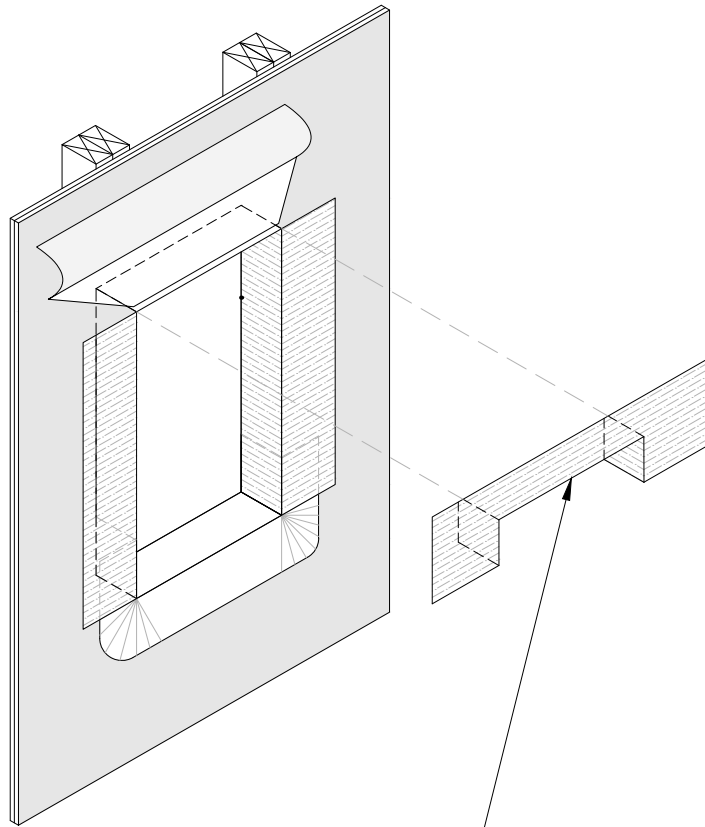
DETAIL 1.1: FLANGELESS WINDOW R.O. PREPARATION



July 2025 | Made in the USA of U.S. and global components.
Please visit [TYPAR.com](https://www.typar.com) for installation instructions and warranty information.
Building Wraps | Flashings | Construction Tape | Sealant

TYPAR® ROUGH OPENING DETAILS

DETAIL 1.3: FLANGELESS WINDOW R.O. PREPARATION



5. INSTALL FLEXIBLE 9" TYPAR BUTYL FLASHING AT HEAD. TURN DOWN JAMBS A MIN. OF 6" AND COVER THE TOPS OF JAMB FLASHINGS.

1.3 FLANGELESS WINDOW R.O. PREPARATION

GENERAL NOTES:

- SECURE ALL WEATHER BARRIER LAPS AND SEAMS WITH TYPAR SEAM TAPE
- SECURE WEATHER BARRIER WITH ONLY APPROVED FASTENERS
- ADHERE TO ALL LOCAL LAWS, CODES, AND GOVERNING DESIGNS
- INSTALL CLADDING SYSTEMS IN ACCORDANCE WITH LOCAL CODES, MANUFACTURER GUIDELINES, AND GOVERNING DESIGN REQUIREMENTS
- ENSURE COMPATIBILITY WITH ADJACENT MATERIALS PRIOR TO INSTALLATION OF TYPAR PRODUCTS



A Magnera Brand

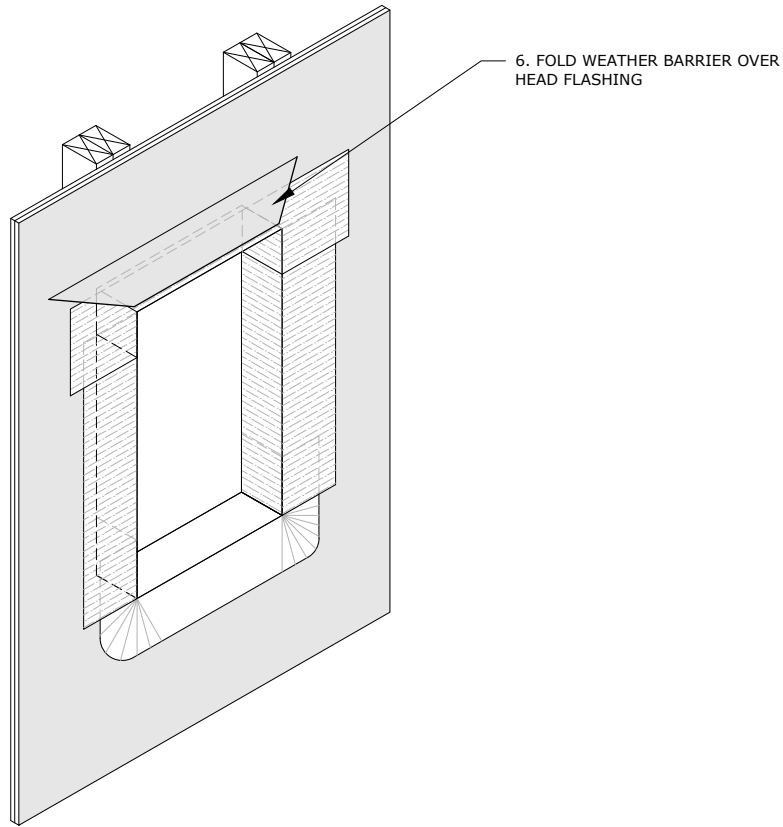


July 2025 | Made in the USA of U.S. and global components.
Please visit TYPAR.com for installation instructions and warranty information.
Building Wraps | Flashings | Construction Tape | Sealant

WATERPROOFING LEGEND (WHERE APPLICABLE)	
TYPAR WRB	— · — · — · — · — · — · — · — · — · —
METAL FLASHING	=====
TYPAR FLASHING	-----
BUILDING PAPER	-----

TYPAR® ROUGH OPENING DETAILS

DETAIL 1.4: FLANGELESS WINDOW R.O. PREPARATION



1.4 FLANGELESS WINDOW R.O. PREPARATION

GENERAL NOTES:

- SECURE ALL WEATHER BARRIER LAPS AND SEAMS WITH TYPAR SEAM TAPE
- SECURE WEATHER BARRIER WITH ONLY APPROVED FASTENERS
- ADHERE TO ALL LOCAL LAWS, CODES, AND GOVERNING DESIGNS
- INSTALL CLADDING SYSTEMS IN ACCORDANCE WITH LOCAL CODES, MANUFACTURER GUIDELINES, AND GOVERNING DESIGN REQUIREMENTS
- ENSURE COMPATIBILITY WITH ADJACENT MATERIALS PRIOR TO INSTALLATION OF TYPAR PRODUCTS



A Magnera Brand

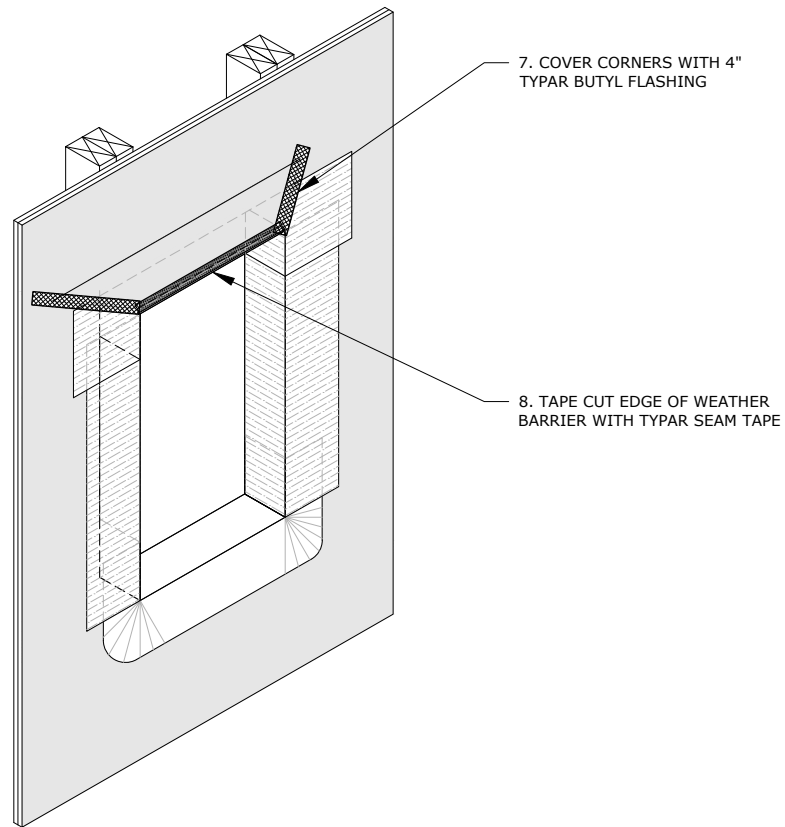


July 2025 | Made in the USA of U.S. and global components.
Please visit [TYPAR.com](https://www.typar.com) for installation instructions and warranty information.
Building Wraps | Flashings | Construction Tape | Sealant

WATERPROOFING LEGEND (WHERE APPLICABLE)	
TYPAR WRB	— · — · — · — · — · — · — · — · —
METAL FLASHING	=====
TYPAR FLASHING	-----
BUILDING PAPER	-----

TYPAR® ROUGH OPENING DETAILS

DETAIL 1.5: FLANGELESS WINDOW R.O. PREPARATION



1.5 FLANGELESS WINDOW R.O. PREPARATION

- GENERAL NOTES:
- SECURE ALL WEATHER BARRIER LAPS AND SEAMS WITH TYPAR SEAM TAPE
 - SECURE WEATHER BARRIER WITH ONLY APPROVED FASTENERS
 - ADHERE TO ALL LOCAL LAWS, CODES, AND GOVERNING DESIGNS
 - INSTALL CLADDING SYSTEMS IN ACCORDANCE WITH LOCAL CODES, MANUFACTURER GUIDELINES, AND GOVERNING DESIGN REQUIREMENTS
 - ENSURE COMPATIBILITY WITH ADJACENT MATERIALS PRIOR TO INSTALLATION OF TYPAR PRODUCTS

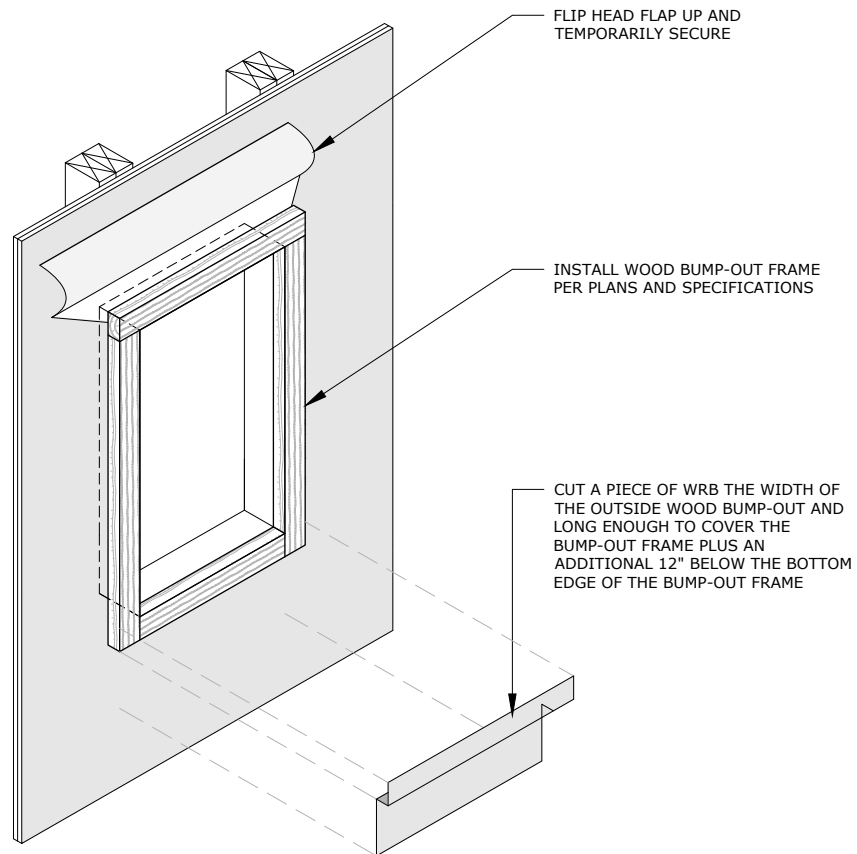


July 2025 | Made in the USA of U.S. and global components.
 Please visit TYPAR.com for installation instructions and warranty information.
 Building Wraps | Flashings | Construction Tape | Sealant

WATERPROOFING LEGEND (WHERE APPLICABLE)	
TYPAR WRB	— · — · — · — · — · — · — · — · — · —
METAL FLASHING	=====
TYPAR FLASHING	-----
BUILDING PAPER	-----

TYPAR® ROUGH OPENING DETAILS

DETAIL 1.7: BUMP OUT WINDOW ROUGH OPENING PREPARATION



1.7 BUMP OUT WINDOW ROUGH OPENING PREPARATION

GENERAL NOTES:

- SECURE ALL WEATHER BARRIER LAPS AND SEAMS WITH TYPAR SEAM TAPE
- SECURE WEATHER BARRIER WITH ONLY APPROVED FASTENERS
- ADHERE TO ALL LOCAL LAWS, CODES, AND GOVERNING DESIGNS
- INSTALL CLADDING SYSTEMS IN ACCORDANCE WITH LOCAL CODES, MANUFACTURER GUIDELINES, AND GOVERNING DESIGN REQUIREMENTS
- ENSURE COMPATIBILITY WITH ADJACENT MATERIALS PRIOR TO INSTALLATION OF TYPAR PRODUCTS



A Magnera Brand

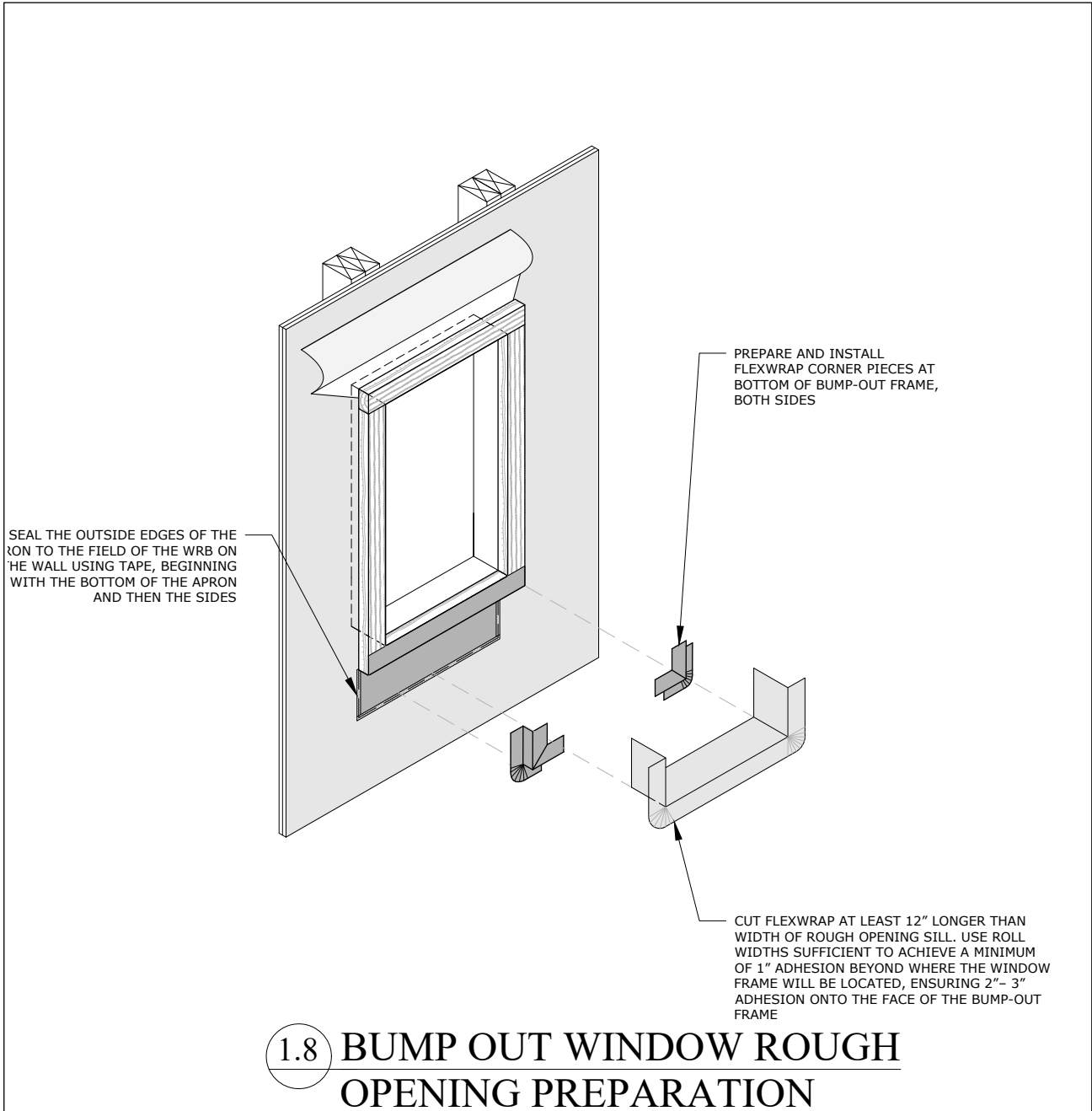


July 2025 | Made in the USA of U.S. and global components.
Please visit [TYPAR.com](https://www.typar.com) for installation instructions and warranty information.
Building Wraps | Flashings | Construction Tape | Sealant

WATERPROOFING LEGEND (WHERE APPLICABLE)	
TYPAR WRB	— · — · — · — · — · — · — · — · —
METAL FLASHING	=====
TYPAR FLASHING	-----
BUILDING PAPER	-----

TYPAR® ROUGH OPENING DETAILS

DETAIL 1.8: BUMP OUT WINDOW ROUGH OPENING PREPARATION



GENERAL NOTES:

- SECURE ALL WEATHER BARRIER LAPS AND SEAMS WITH TYPAR SEAM TAPE
- SECURE WEATHER BARRIER WITH ONLY APPROVED FASTENERS
- ADHERE TO ALL LOCAL LAWS, CODES, AND GOVERNING DESIGNS
- INSTALL CLADDING SYSTEMS IN ACCORDANCE WITH LOCAL CODES, MANUFACTURER GUIDELINES, AND GOVERNING DESIGN REQUIREMENTS
- ENSURE COMPATIBILITY WITH ADJACENT MATERIALS PRIOR TO INSTALLATION OF TYPAR PRODUCTS



A Magnera Brand

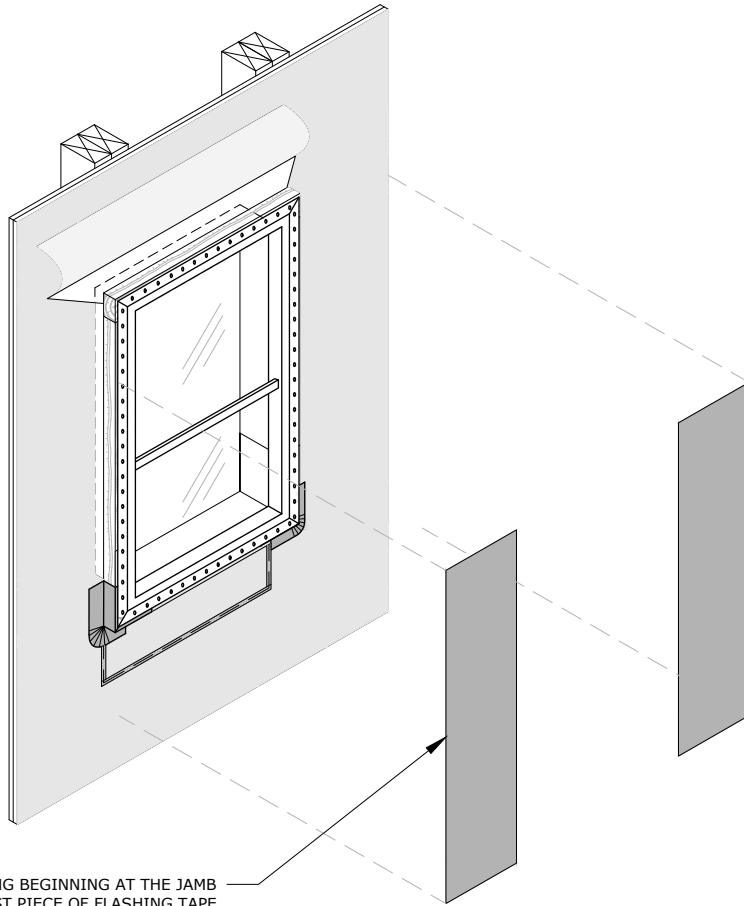


July 2025 | Made in the USA of U.S. and global components.
Please visit TYPAR.com for installation instructions and warranty information.
Building Wraps | Flashings | Construction Tape | Sealant

WATERPROOFING LEGEND (WHERE APPLICABLE)	
TYPAR WRB	— · — · — · — · — · — · — · — · —
METAL FLASHING	=====
TYPAR FLASHING	-----
BUILDING PAPER	-----

TYPAR® ROUGH OPENING DETAILS

DETAIL 1.10: BUMP OUT WINDOW ROUGH OPENING PREPARATION



INSTALL JAMB FLASHING BEGINNING AT THE JAMB FLANGES, INSTALL THE FIRST PIECE OF FLASHING TAPE FLUSH WITH THE TOP OF THE BUMP-OUT FRAME AND COMPLETELY OVER THE WINDOW FLANGE. CONTINUE INSTALLING AROUND THE BUMP-OUT FRAME AND ONTO THE WRB ON THE FACE OF THE WALL. ENSURE IT IS INSTALLED TIGHT INTO THE INSIDE CORNER OF THE BUMP-OUT FRAME AND WALL. BOTH SIDES

1.10 BUMP OUT WINDOW ROUGH OPENING PREPARATION

GENERAL NOTES:

- SECURE ALL WEATHER BARRIER LAPS AND SEAMS WITH TYPAR SEAM TAPE
- SECURE WEATHER BARRIER WITH ONLY APPROVED FASTENERS
- ADHERE TO ALL LOCAL LAWS, CODES, AND GOVERNING DESIGNS
- INSTALL CLADDING SYSTEMS IN ACCORDANCE WITH LOCAL CODES, MANUFACTURER GUIDELINES, AND GOVERNING DESIGN REQUIREMENTS
- ENSURE COMPATIBILITY WITH ADJACENT MATERIALS PRIOR TO INSTALLATION OF TYPAR PRODUCTS



A Magnera Brand

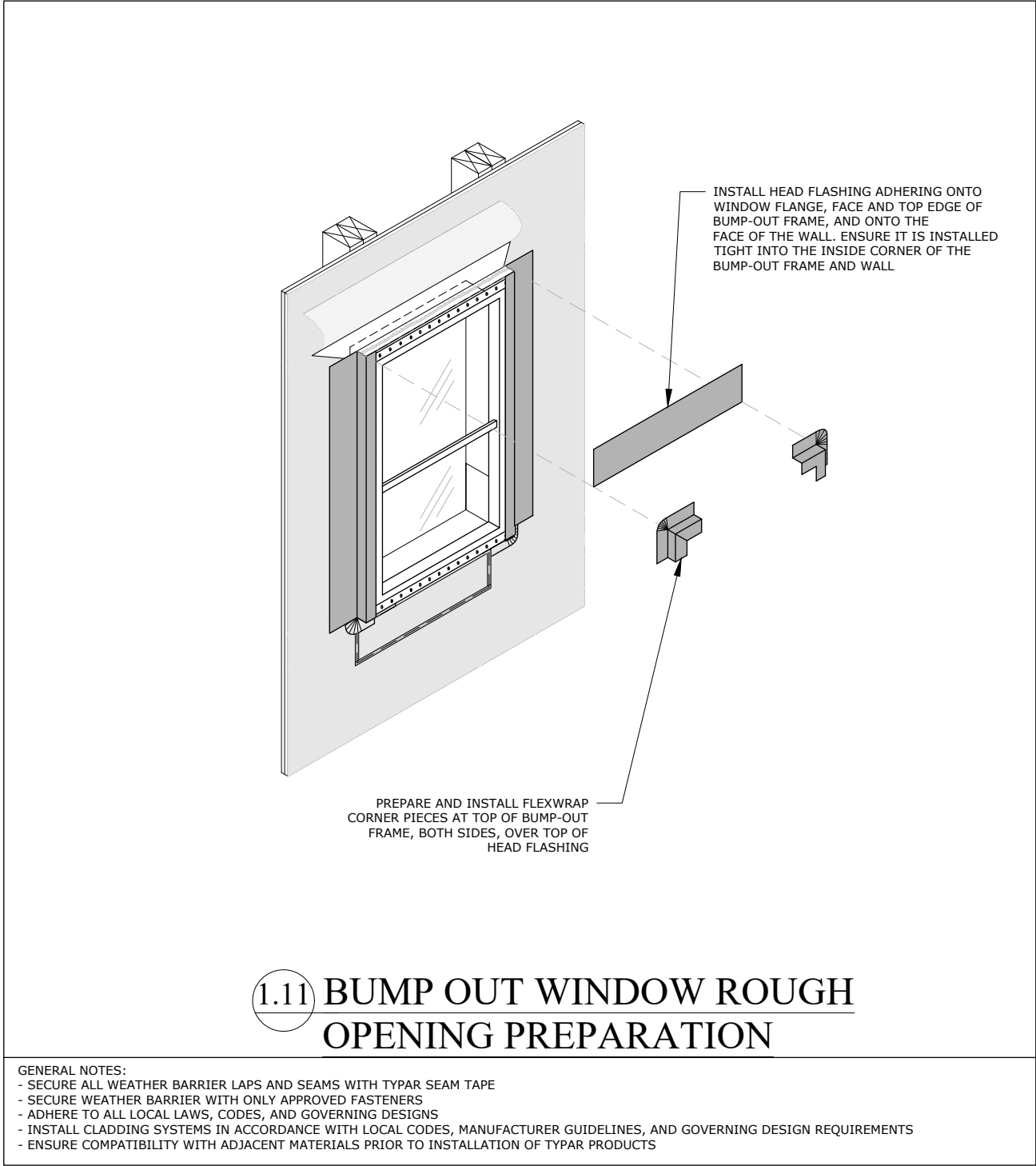


July 2025 | Made in the USA of U.S. and global components.
Please visit TYPAR.com for installation instructions and warranty information.
Building Wraps | Flashings | Construction Tape | Sealant

WATERPROOFING LEGEND (WHERE APPLICABLE)	
TYPAR WRB	— · — · — · — · — · — · — · — · —
METAL FLASHING	=====
TYPAR FLASHING	-----
BUILDING PAPER	-----

TYPAR® ROUGH OPENING DETAILS

DETAIL 1.11: BUMP OUT WINDOW ROUGH OPENING PREPARATION

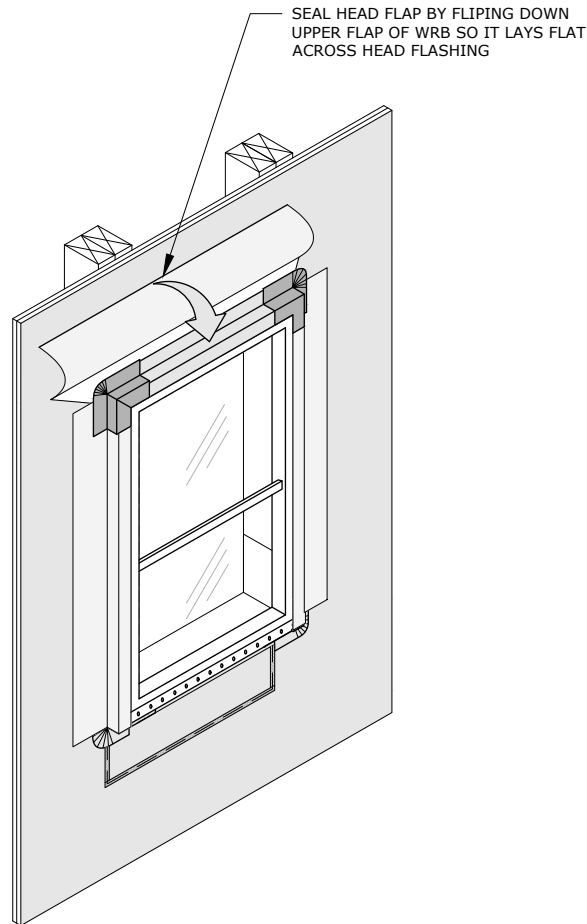


July 2025 | Made in the USA of U.S. and global components.
 Please visit TYPAR.com for installation instructions and warranty information.
 Building Wraps | Flashings | Construction Tape | Sealant

WATERPROOFING LEGEND (WHERE APPLICABLE)	
TYPAR WRB	— · · · · · —
METAL FLASHING	=====
TYPAR FLASHING	-----
BUILDING PAPER	- - - - -

TYPAR® ROUGH OPENING DETAILS

DETAIL 1.12: BUMP OUT WINDOW ROUGH OPENING PREPARATION



1.12 BUMP OUT WINDOW ROUGH OPENING PREPARATION

GENERAL NOTES:

- SECURE ALL WEATHER BARRIER LAPS AND SEAMS WITH TYPAR SEAM TAPE
- SECURE WEATHER BARRIER WITH ONLY APPROVED FASTENERS
- ADHERE TO ALL LOCAL LAWS, CODES, AND GOVERNING DESIGNS
- INSTALL CLADDING SYSTEMS IN ACCORDANCE WITH LOCAL CODES, MANUFACTURER GUIDELINES, AND GOVERNING DESIGN REQUIREMENTS
- ENSURE COMPATIBILITY WITH ADJACENT MATERIALS PRIOR TO INSTALLATION OF TYPAR PRODUCTS



A Magnera Brand

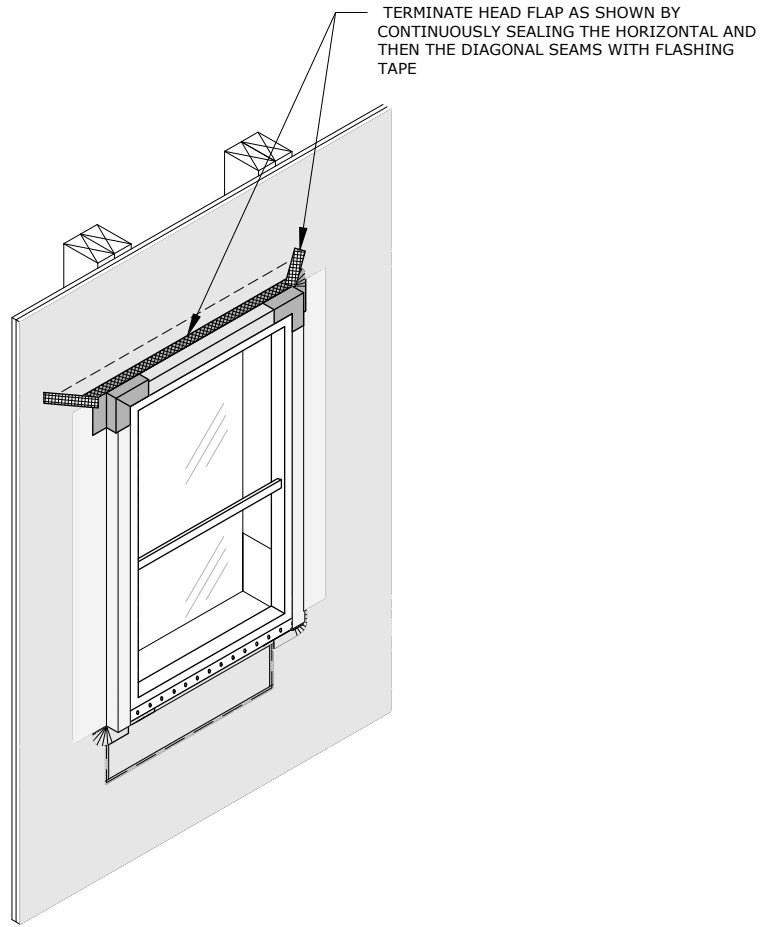
July 2025 | Made in the USA of U.S. and global components.
Please visit [TYPAR.com](https://www.typar.com) for installation instructions and warranty information.
Building Wraps | Flashings | Construction Tape | Sealant



WATERPROOFING LEGEND (WHERE APPLICABLE)	
TYPAR WRB	— · — · — · — · — · — · — · — · — · —
METAL FLASHING	=====
TYPAR FLASHING	-----
BUILDING PAPER	-----

TYPAR® ROUGH OPENING DETAILS

DETAIL 1.13: BUMP OUT WINDOW ROUGH OPENING PREPARATION



1.13 BUMP OUT WINDOW ROUGH OPENING PREPARATION

GENERAL NOTES:

- SECURE ALL WEATHER BARRIER LAPS AND SEAMS WITH TYPAR SEAM TAPE
- SECURE WEATHER BARRIER WITH ONLY APPROVED FASTENERS
- ADHERE TO ALL LOCAL LAWS, CODES, AND GOVERNING DESIGNS
- INSTALL CLADDING SYSTEMS IN ACCORDANCE WITH LOCAL CODES, MANUFACTURER GUIDELINES, AND GOVERNING DESIGN REQUIREMENTS
- ENSURE COMPATIBILITY WITH ADJACENT MATERIALS PRIOR TO INSTALLATION OF TYPAR PRODUCTS



A Magnera Brand

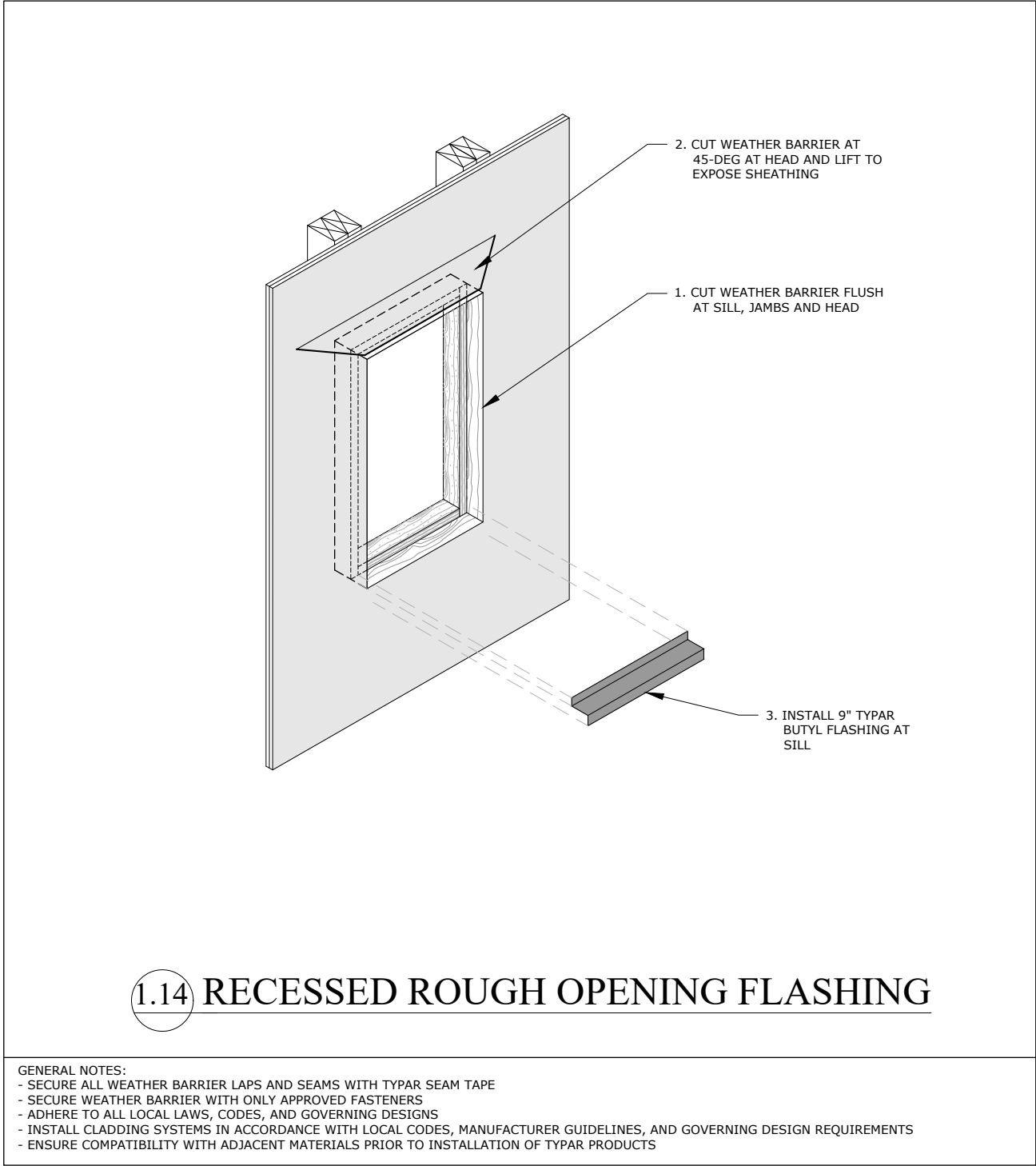


July 2025 | Made in the USA of U.S. and global components.
Please visit [TYPAR.com](https://www.typar.com) for installation instructions and warranty information.
Building Wraps | Flashings | Construction Tape | Sealant

WATERPROOFING LEGEND (WHERE APPLICABLE)	
TYPAR WRB	— · · · · · — · · · · ·
METAL FLASHING	=====
TYPAR FLASHING	-----
BUILDING PAPER	- - - - -

TYPAR® ROUGH OPENING DETAILS

DETAIL 1.14: RECESSED ROUGH OPENING FLASHING

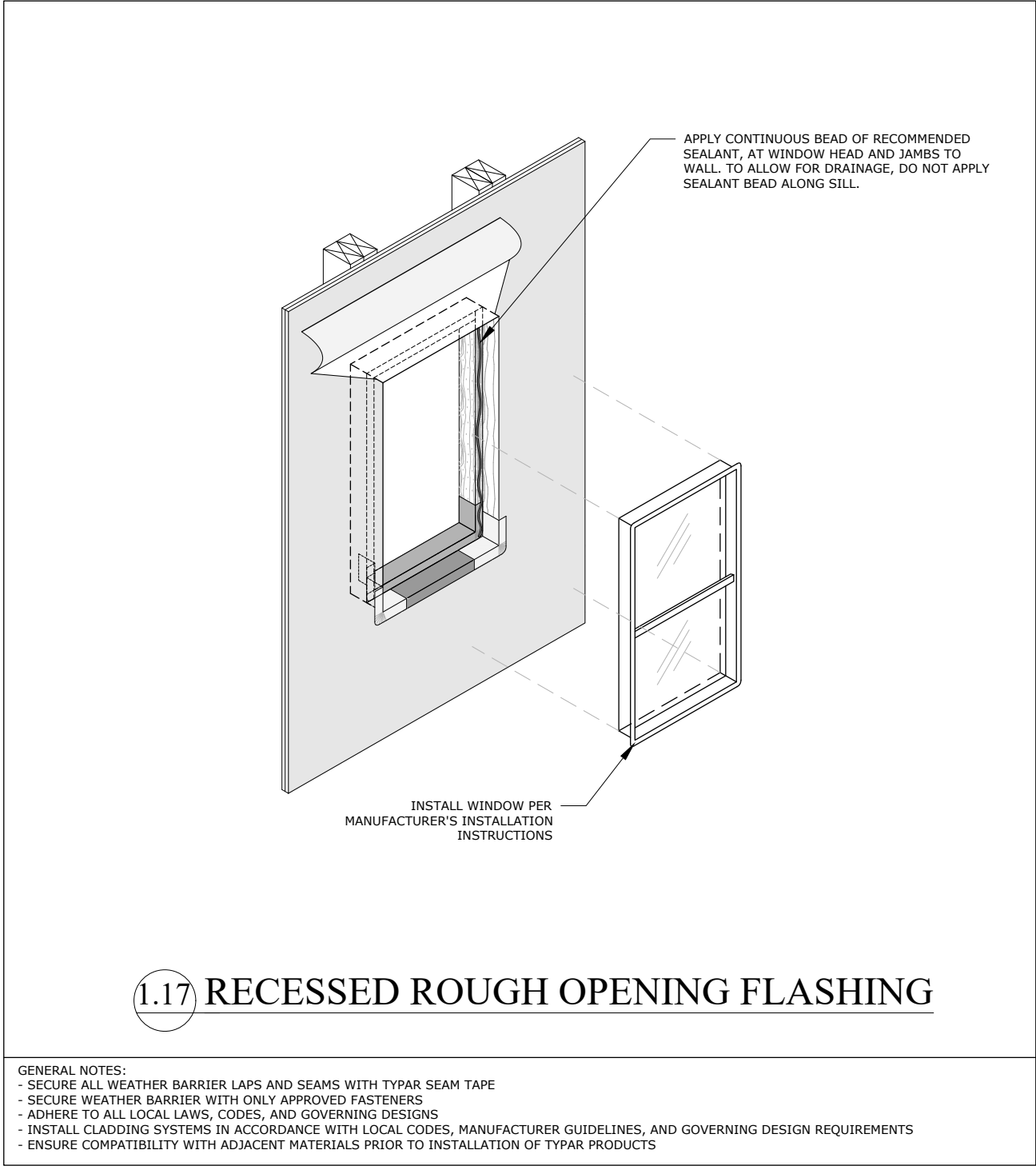


July 2025 | Made in the USA of U.S. and global components.
Please visit [TYPAR.com](https://www.typar.com) for installation instructions and warranty information.
Building Wraps | Flashings | Construction Tape | Sealant

WATERPROOFING LEGEND (WHERE APPLICABLE)	
TYPAR WRB	— · — · — · — · — · — · — · — · —
METAL FLASHING	=====
TYPAR FLASHING	-----
BUILDING PAPER	- - - - -

TYPAR® ROUGH OPENING DETAILS

DETAIL 1.17: RECESSED ROUGH OPENING FLASHING

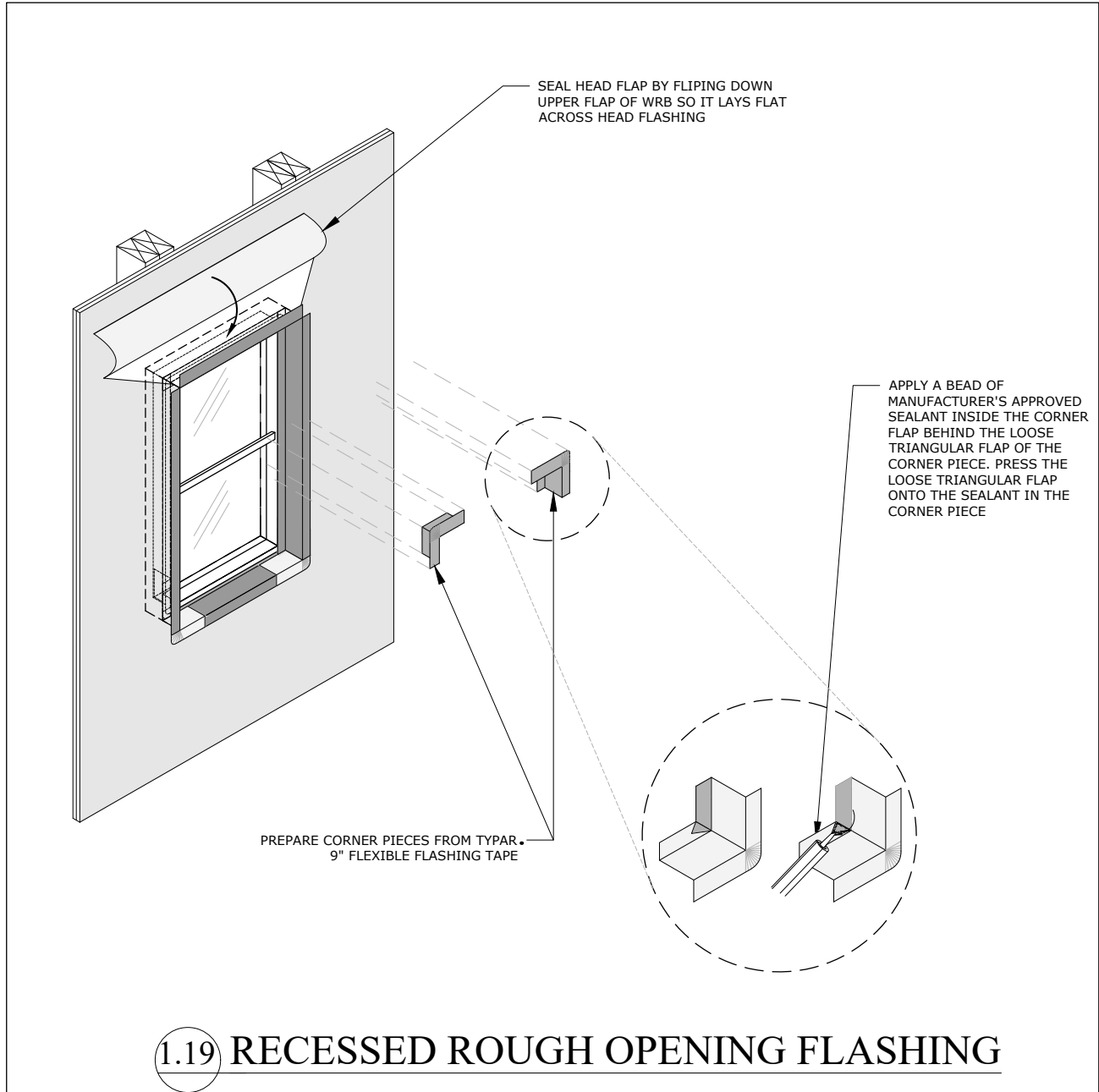


July 2025 | Made in the USA of U.S. and global components.
 Please visit [TYPAR.com](https://www.typar.com) for installation instructions and warranty information.
 Building Wraps | Flashings | Construction Tape | Sealant

WATERPROOFING LEGEND (WHERE APPLICABLE)	
TYPAR WRB	— · — · — · — · — · — · — · — · — · —
METAL FLASHING	=====
TYPAR FLASHING	-----
BUILDING PAPER	-----

TYPAR® ROUGH OPENING DETAILS

DETAIL 1.19: RECESSED ROUGH OPENING FLASHING



GENERAL NOTES:

- SECURE ALL WEATHER BARRIER LAPS AND SEAMS WITH TYPAR SEAM TAPE
- SECURE WEATHER BARRIER WITH ONLY APPROVED FASTENERS
- ADHERE TO ALL LOCAL LAWS, CODES, AND GOVERNING DESIGNS
- INSTALL CLADDING SYSTEMS IN ACCORDANCE WITH LOCAL CODES, MANUFACTURER GUIDELINES, AND GOVERNING DESIGN REQUIREMENTS
- ENSURE COMPATIBILITY WITH ADJACENT MATERIALS PRIOR TO INSTALLATION OF TYPAR PRODUCTS



A Magnera Brand



July 2025 | Made in the USA of U.S. and global components.
Please visit TYPAR.com for installation instructions and warranty information.
Building Wraps | Flashings | Construction Tape | Sealant

WATERPROOFING LEGEND (WHERE APPLICABLE)	
TYPAR WRB	— · — · — · — · — · — · — · — · —
METAL FLASHING	=====
TYPAR FLASHING	-----
BUILDING PAPER	-----

